



Heat Shrink Tubing > SST Heat Shrink Tubing



Primary Product Color: **Clear**

Wall Type: **Single Wall**

Expanded Inside Diameter (Min): **19.05 mm [.75 in]**

Recovered Inside Diameter (Max): **5.59 mm [.22 in]**

Shrink Ratio: **3:1**

[All SST Heat Shrink Tubing \(63\)](#)

Features

Product Type Features

Wall Type	Single Wall
-----------	-------------

Body Features

Fluid Type	De-Icing Fluid, Hydraulic Fluid, Lubricating Oil, Turbine Fuel
Primary Product Color	Clear
Shrink Ratio	3:1
Primary Product Material	Irradiated Modified Polyolefin
Flexibility	Semi-Rigid

Dimensions

Product Length	1219.2 mm[48 in]
Expanded Inside Diameter (Min)	19.05 mm[.75 in]
Recovered Inside Diameter (Max)	5.59 mm[.22 in]
Tubing Size Range	5.59 – 19.05 mm[.22 – .75 in]

Usage Conditions

Shrink Temperature (Min)	90 °C
Resistance Properties	Moisture



Tubing Flammability Type	Non-Flame-Retardant
Operating Temperature Range	-55 – 110 °C
Recovery Temperature	121 °C

Operation/Application

Mechanical Resistance	Abrasion, Fluids, Moisture
-----------------------	----------------------------

Product Availability

Applicable Region	Global
-------------------	--------

Packaging Features

Packaging Method	Box
------------------	-----

Other

Meets Low Outgassing Requirements	No
Product Source	US

Product Compliance

[For compliance documentation, visit the product page on TE.com>](#)

EU RoHS Directive 2011/65/EU	Compliant
EU ELV Directive 2000/53/EC	Compliant
China RoHS 2 Directive MIIT Order No 32, 2016	No Restricted Materials Above Threshold
EU REACH Regulation (EC) No. 1907/2006	Current ECHA Candidate List: JUNE 2023 (235) Candidate List Declared Against: JAN 2023 (233) Does not contain REACH SVHC
Halogen Content	Not Yet Reviewed for halogen content
Solder Process Capability	Not applicable for solder process capability

Product Compliance Disclaimer

This information is provided based on reasonable inquiry of our suppliers and represents our current actual knowledge based on the information they provided. This information is subject to change. The part numbers that TE has identified as EU RoHS compliant have a maximum concentration of 0.1% by weight in homogenous materials for lead, hexavalent chromium, mercury, PBB, PBDE, DBP, BBP, DEHP, DIBP, and 0.01% for cadmium, or qualify for an exemption to these limits as defined in the Annexes of Directive 2011/65/EU (RoHS2). Finished electrical and electronic equipment products will be CE marked as required by Directive 2011/65/EU. Components may not be CE marked. Additionally, the part numbers that TE has identified as EU ELV compliant have a maximum concentration of 0.1% by weight in homogenous materials for lead, hexavalent chromium, and mercury, and 0.01% for cadmium, or qualify for an exemption to these limits as defined in the Annexes of Directive 2000/53/EC (ELV). Regarding the REACH Regulation, the information TE provides on SVHC in articles for this part number is based on the latest European Chemicals Agency (ECHA) 'Guidance on requirements for substances in articles' posted at this URL: <https://echa.europa.eu/guidance-documents/guidance-on-reach>



Compatible Parts



TE Part # 2326489-1
MODEL 105 TUNNEL OVEN, 36" ENTRY, STANDA




TE Part # 2394980-1
MOD 105 TUN OVEN, 69" ENTRY, STARDARD



TE Part # 955018-000
CLTEQ-M105-TUNNEL-OVEN

Also in the Series | RAYCHEM SST/SST-FR



Heat Shrink Tubing(65)

Customers Also Bought




TE Part #163007
FF 250 REC HSG 8P NYLON CLEAR




TE Part #154718-3
PL 250 REC 0.7-2.0 MM2 0.406 TPBR



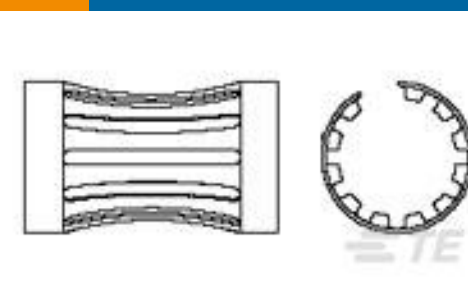
TE Part #1-160759-1
250 PL MKI REC. 20-15AWG PTBR



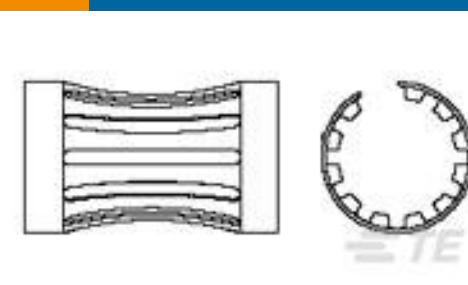
TE Part #520961-1
PL 250 HOUSING BLACK NYLON




TE Part #170456-2
PL 250 AM REC 12-10 0.40 X 21 PRE-TPBR



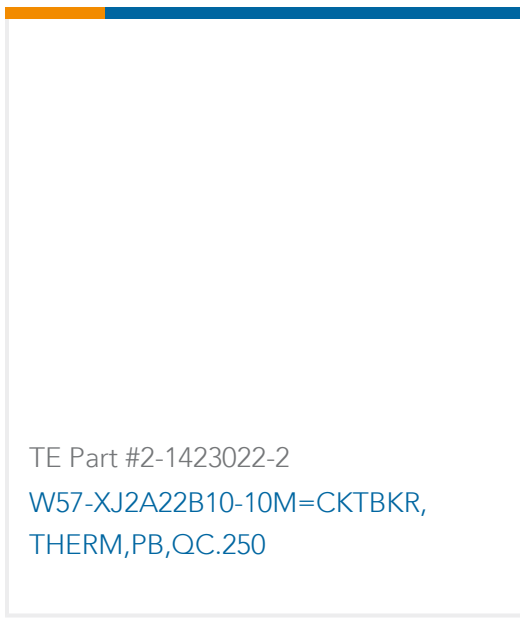
TE Part #192046-6
BRIDGE FORMED BAND,(F)



TE Part #5-192046-9
LAV,.006, MIL GOLD



TE Part #9510670003
RPS-400-1000/2.0-9



Documents

Product Drawings

[SST-48-07/CL/226](#)

English

Datasheets & Catalog Pages

[Measuring_Single_Wall_Tubing](#)

English

[SST and SST-FR Pages from 9-1773447-9](#)

English

[Selecting_Correct_Tubing_1216](#)

English

Product Specifications

[Quality Specification](#)

English