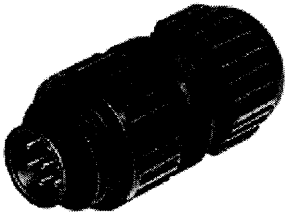


3611899.

Products

[Automation and Network Solutions](#) » [Connectivity](#) » [Industrial Connectors](#) » [Connectors for mains connection](#) » [CA Connector](#) » 6 + PE »

| | |
|---|--|
| CA 6 LS | Order-No.: 934 126-100 |
| <p>Cable connector Type of connection: solder Conductor cross-section: max. 0.75 mm² Operating voltage: 250 V AC/DC Operating current: 10 A AC/DC</p> | |
| <ul style="list-style-type: none"> - International approvals for world-wide use: VDE, UR, SEV, CSA - Housings made of impact-resistant plastic with screw locking system - Easy handling for a quick assembly with integrated strain relief - Useful in industry due to protection against dust and water |  |
| <p>Basic data Protection class: IP 67 Pollution severity class: 3 Strain relief by means of 6 mm-12 mm Contact surface: Cu Zn</p> | |
| <p>technical drawing</p> | |
| <p>CA 6 LS <input type="button" value="go"/></p> | |

Product search:

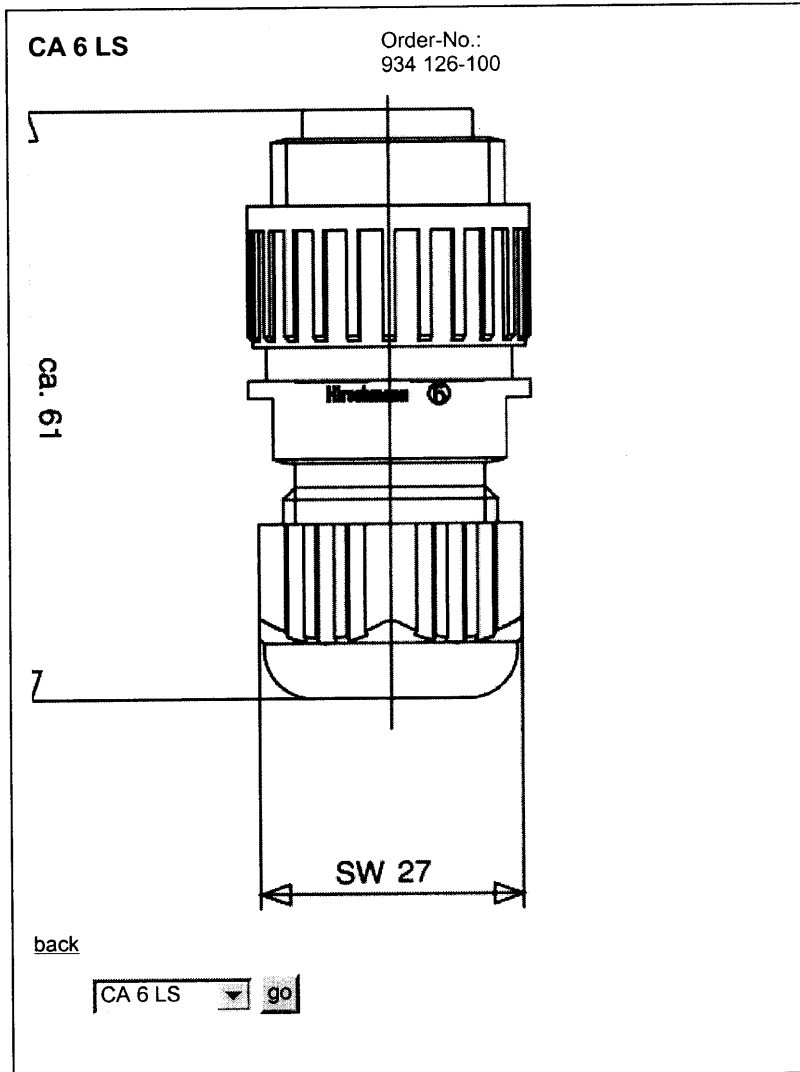
[To the top](#) | [Email](#)

© Hirschmann Electronics GmbH & Co. KG
 An [Aditron AG](#) Company

Products

[back](#)

[Automation and Network Solutions](#) » [Connectivity](#) » [Industrial Connectors](#) » [Connectors for mains connection](#) » [CA Connector](#) » [6 + PE](#) »



Product search:

[To the top](#) | [Email](#)

© Hirschmann Electronics GmbH & Co. KG
An [Aditron AG](#) Company