

DETAILS

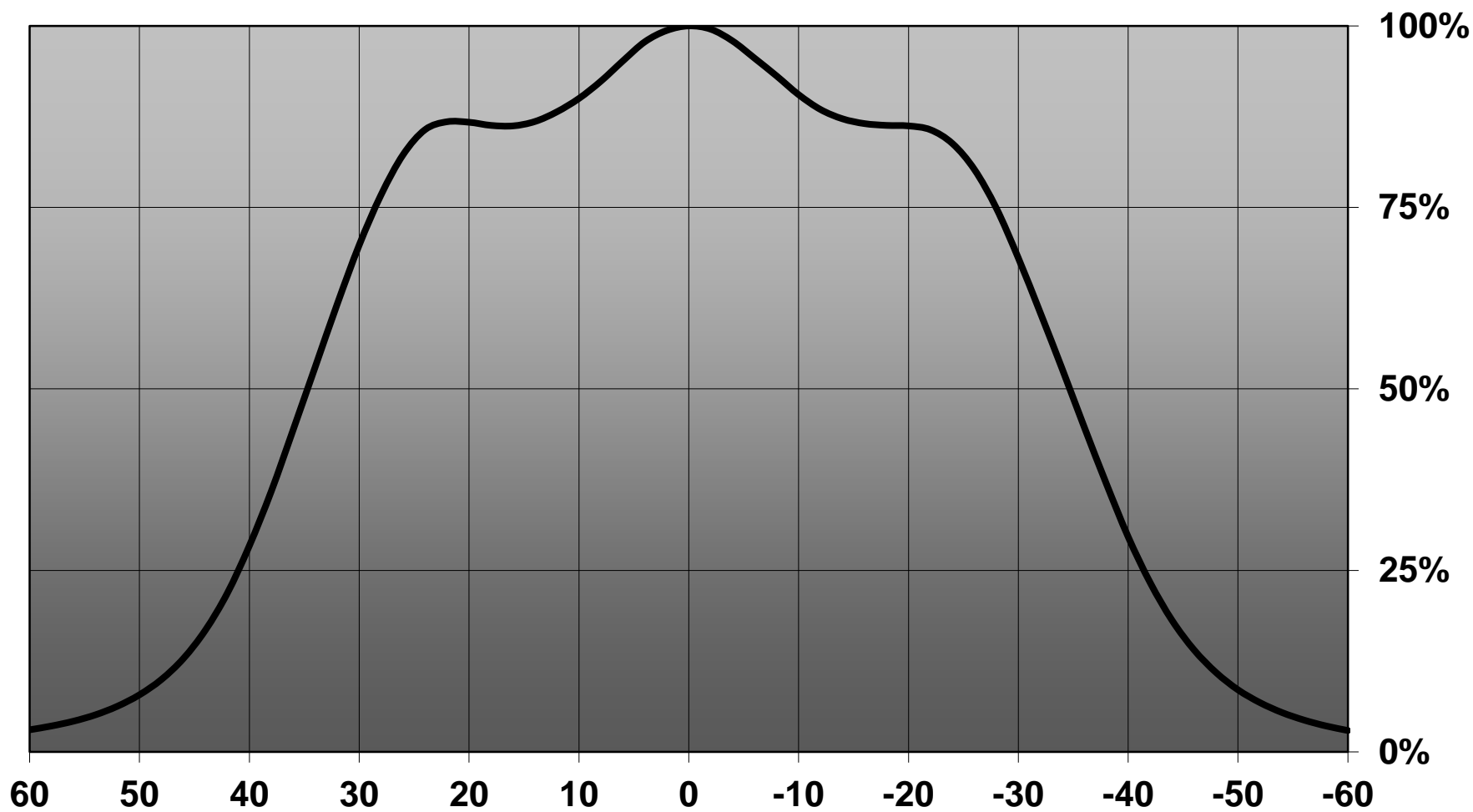
Product Number	CA13498_EMILY-WWW
Family	Emily
Type	Assembly
Color	clear
Diameter	26 mm
Height	13,3 mm
Style	round
Optic Material	PMMA
Holder Material	
Fastening	tape
Status	production ready
ROHS Compliant	Yes
Date Updated	9/06/2016



OPTICAL PROPERTIES

LED	Viewing Angle	Light Beam	Efficiency	cd/lm	Connector
XM-L	70 deg	WWW-class	90 %	0.700	-
XM-L2	70 deg	WWW-class	88 %	0.700	-
XP-L	66 deg	WWW-class	83 %	0.710	-
XP-L HI	67 deg	WWW-class	88 %	0.760	-
XHP35 HD	70 deg	WWW-class	84 %	0.700	-

Relative intensity of CA13498_EMILY-WWW_(XML)



D

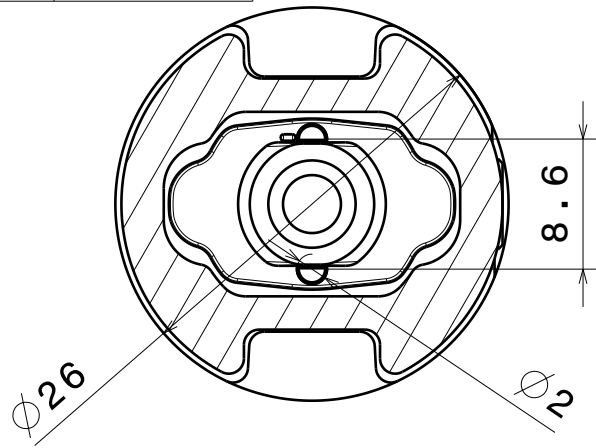
C

B

A

INDEX	PART NO	DESCRIPTION	MATERIAL
1			

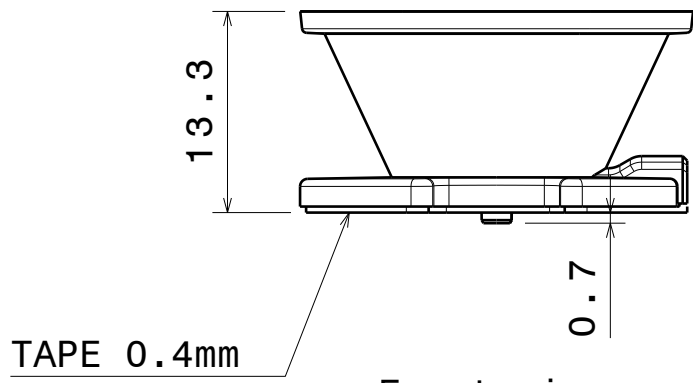
4



Bottom view

4

3



Front view
Scale: 2:1

3

2

Materials:
 Lens PMMA
 Tape PU foam with PSA

Tolerances for dimensions:
 0-20mm tolerance value +/-0.1mm
 21-45mm tolerance value +/-0.2mm
 46-90mm tolerance value +/-0.3mm
 91-100mm tolerance value +/-0.4mm
 101-mm tolerance value +/-0.5mm

2

This drawing is our property.
 It can't be reproduced
 or communicated without
 our written agreement.

LEDiL Ledil Oy
 Salorankatu 10
 FIN 24240 SALO
 Finland

DRAWING TITLE | Part Drawing

DRAWN BY | DATE
 pv | 27.9.2012

Datasheet EMILY-WWW assy

CHECKED BY | DATE
 - | -

SIZE | PART NUMBER | REV
 A4 | CA12589 | 001

DESIGNED BY | DATE
 - | -

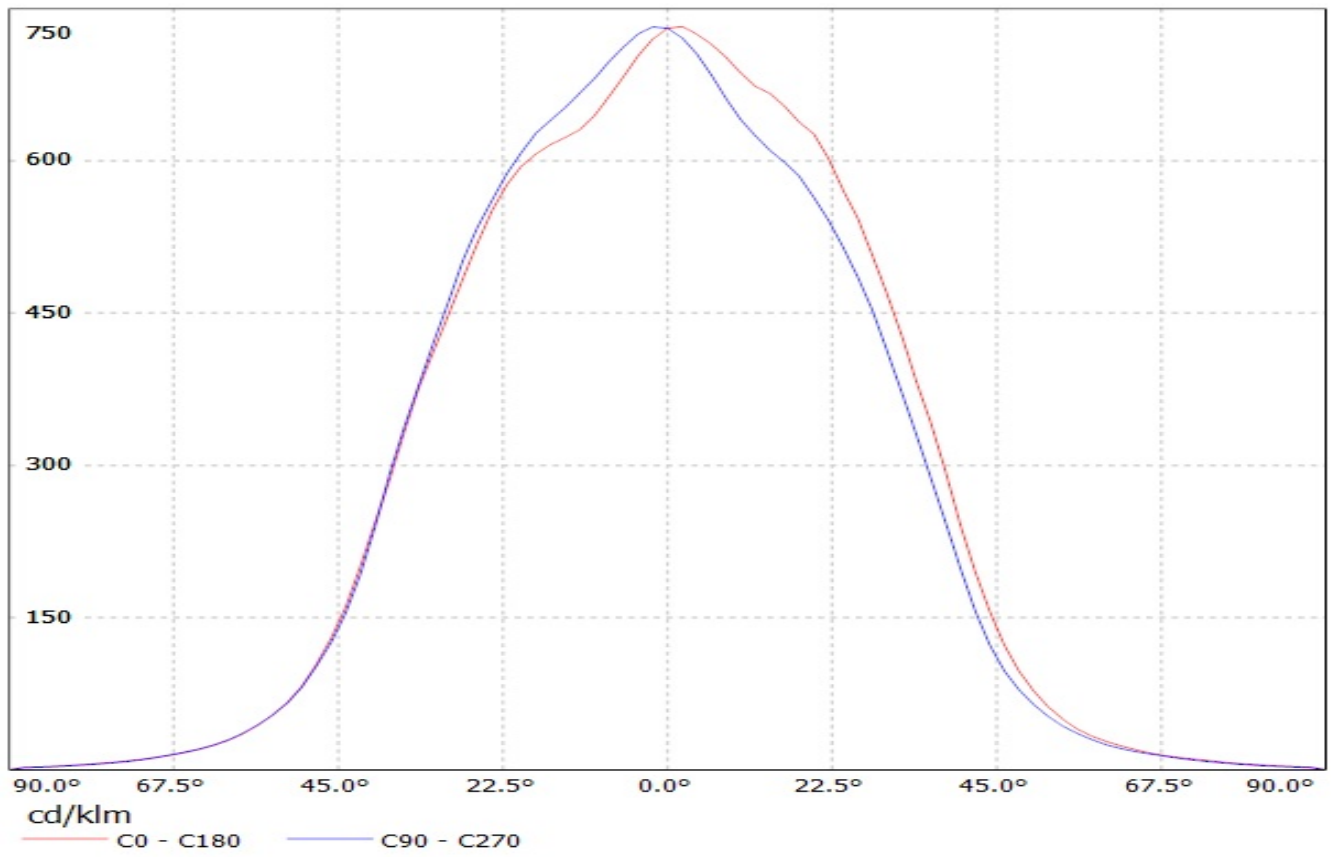
SCALE | WEIGHT | SHEET
 1:1 | - | 1/1

D

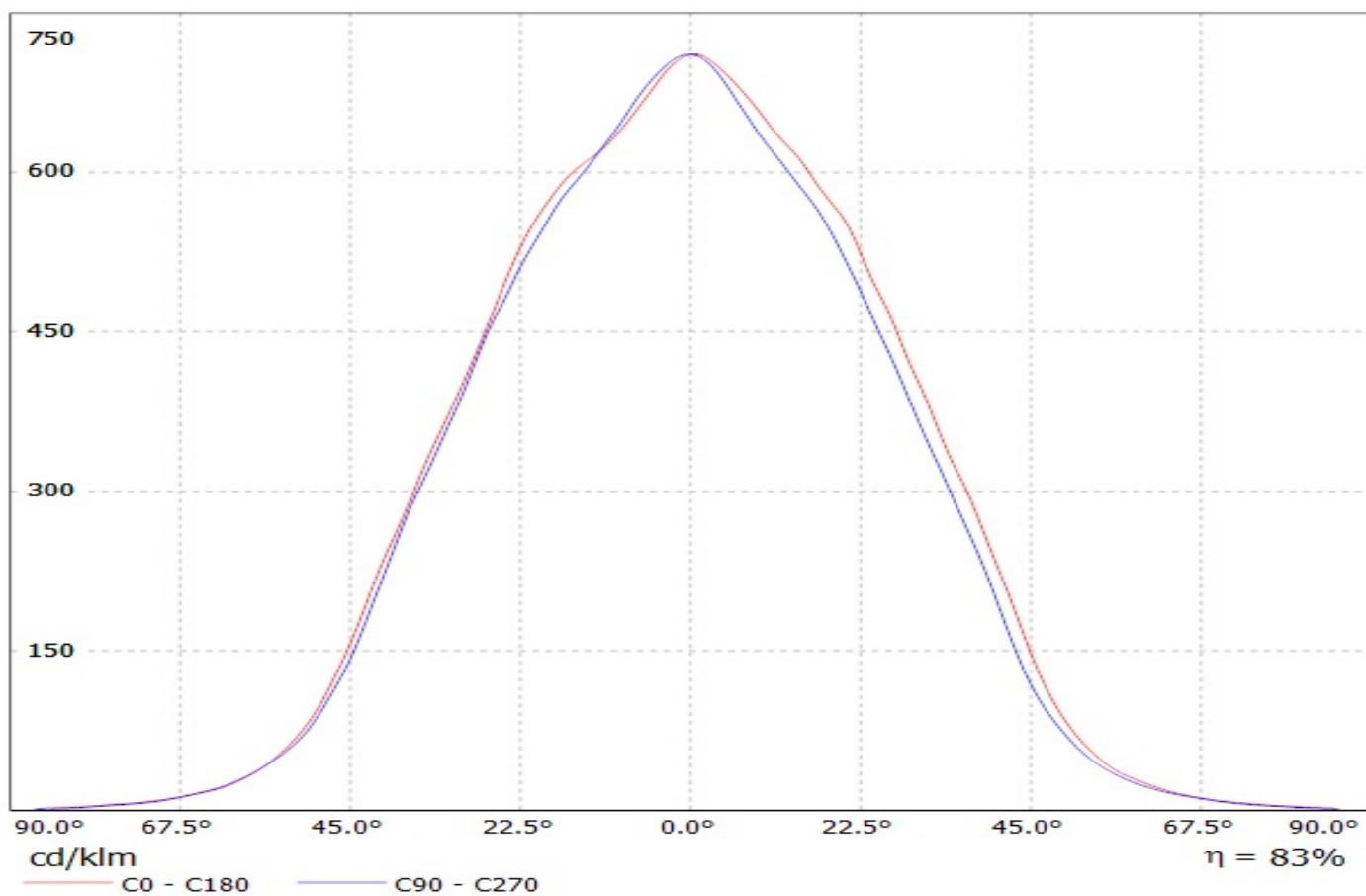
A

1

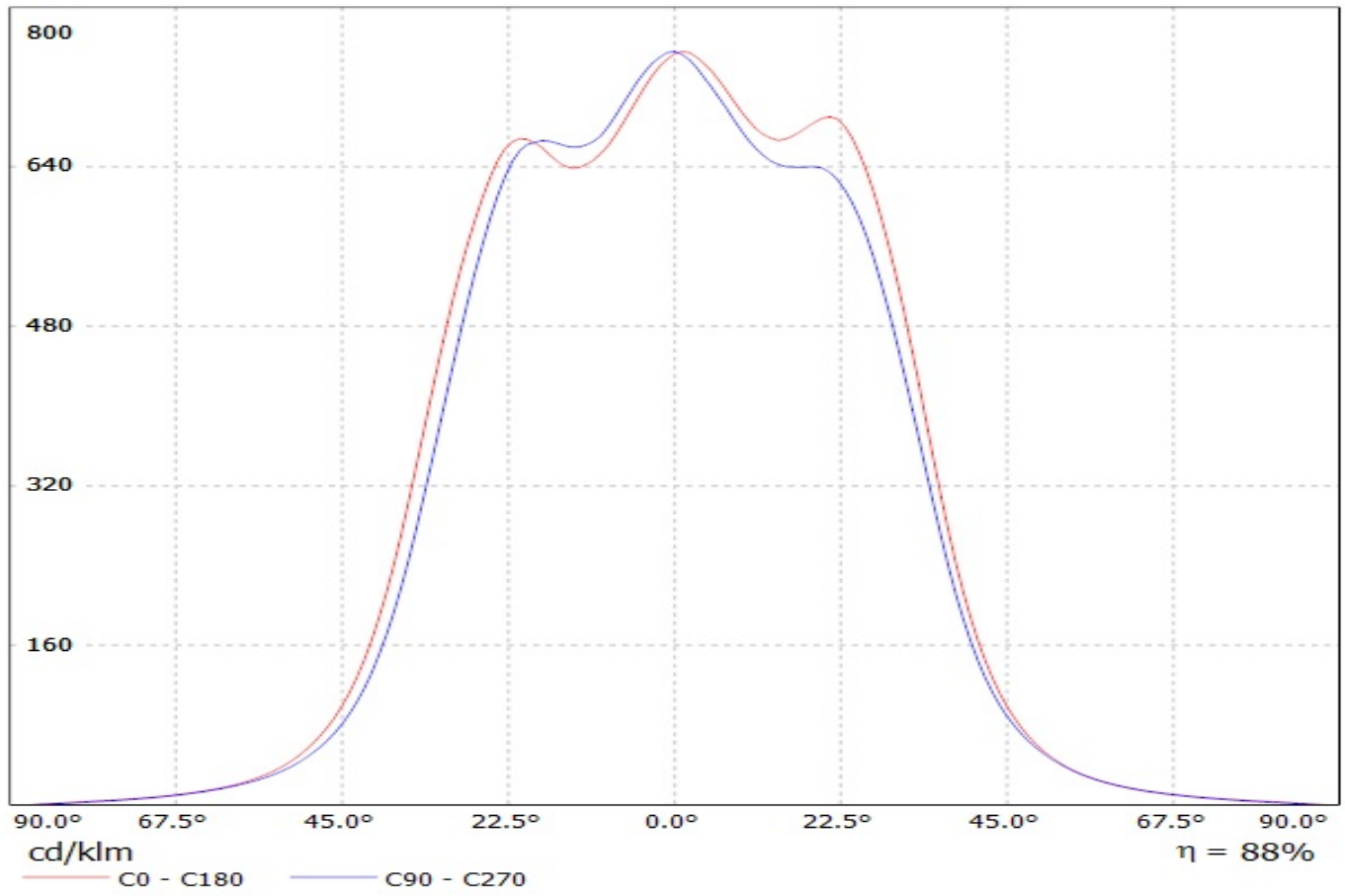
Luminaire: LEDiL CA13498_EMILY-WWW Efficiency=88%
Lamps: 1 x Cree XM-L2 (100lm @ 250mA) P=0.7W I=250mA



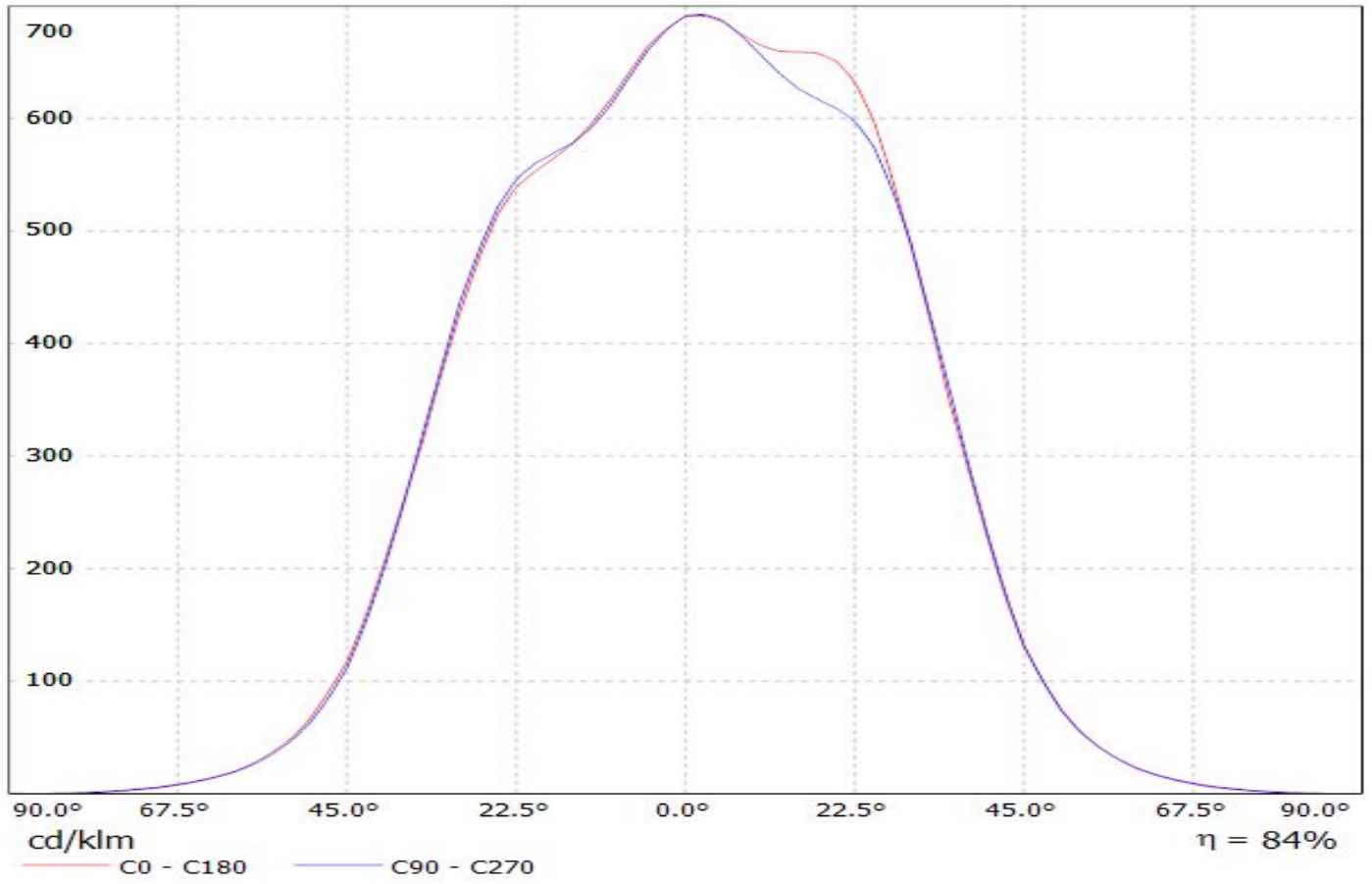
Luminaire: LEDil Oy CA13498_EMILY-WWW_(XP-L)
Lamps: 1 x Cree XP-L (124.35lm @ 250mA) P=0.7W I=250mA



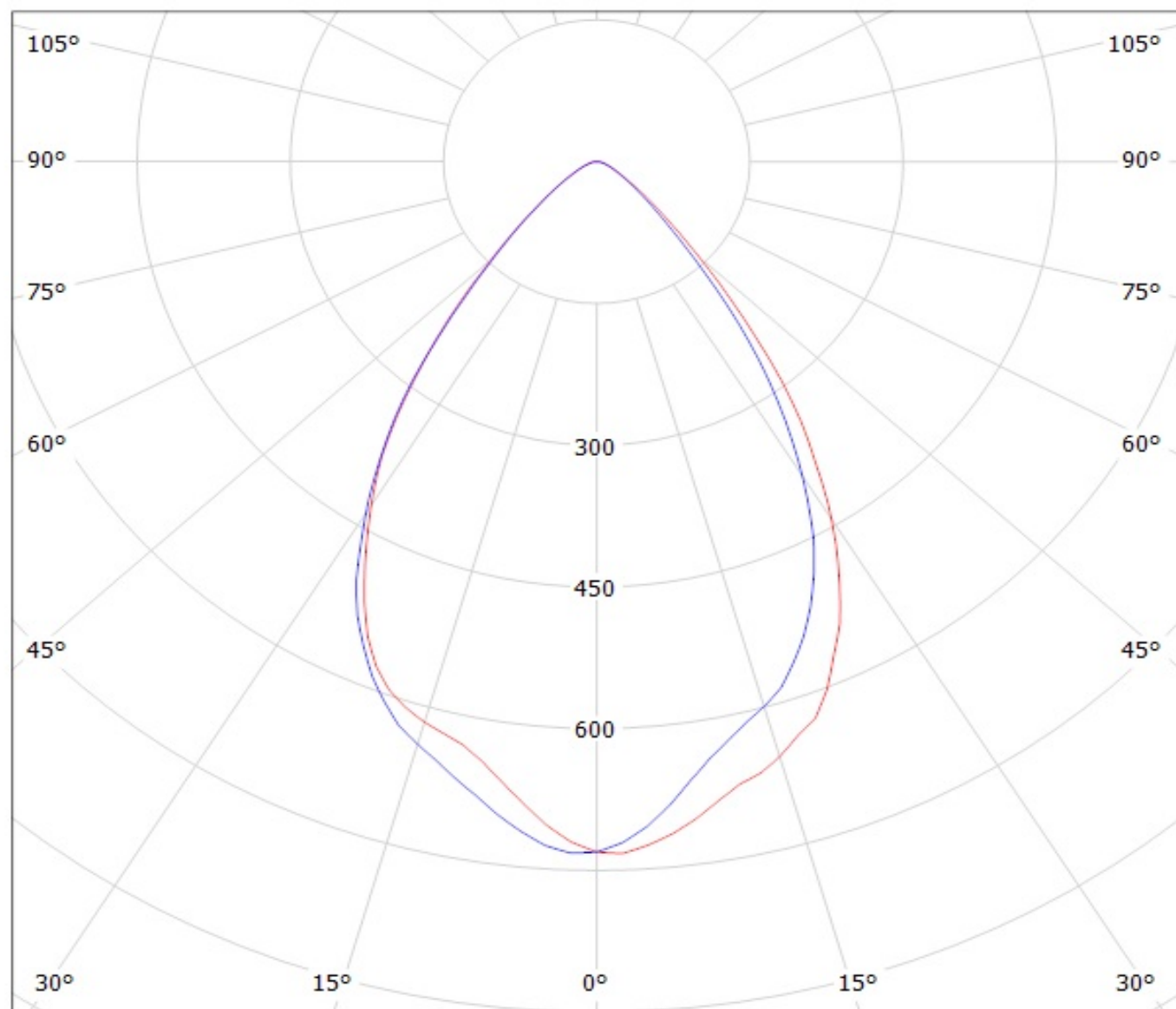
Luminaire: LEDiL Oy CA13498_EMILY-WWW_(XP-L_HI)
Lamps: 1 x Cree_XP-L_HI_114.406lm@250mA_P=0.745352W_I=0.2499A



Luminaire: LEDiL Oy
Lamps: 1 x CA13498_EMILY-WWW_(XHP35)



Luminaire: LEDiL CA13498_EMILY-WWW Efficiency=88%
Lamps: 1 x Cree XM-L2 (100lm @ 250mA) P=0.7W I=250mA

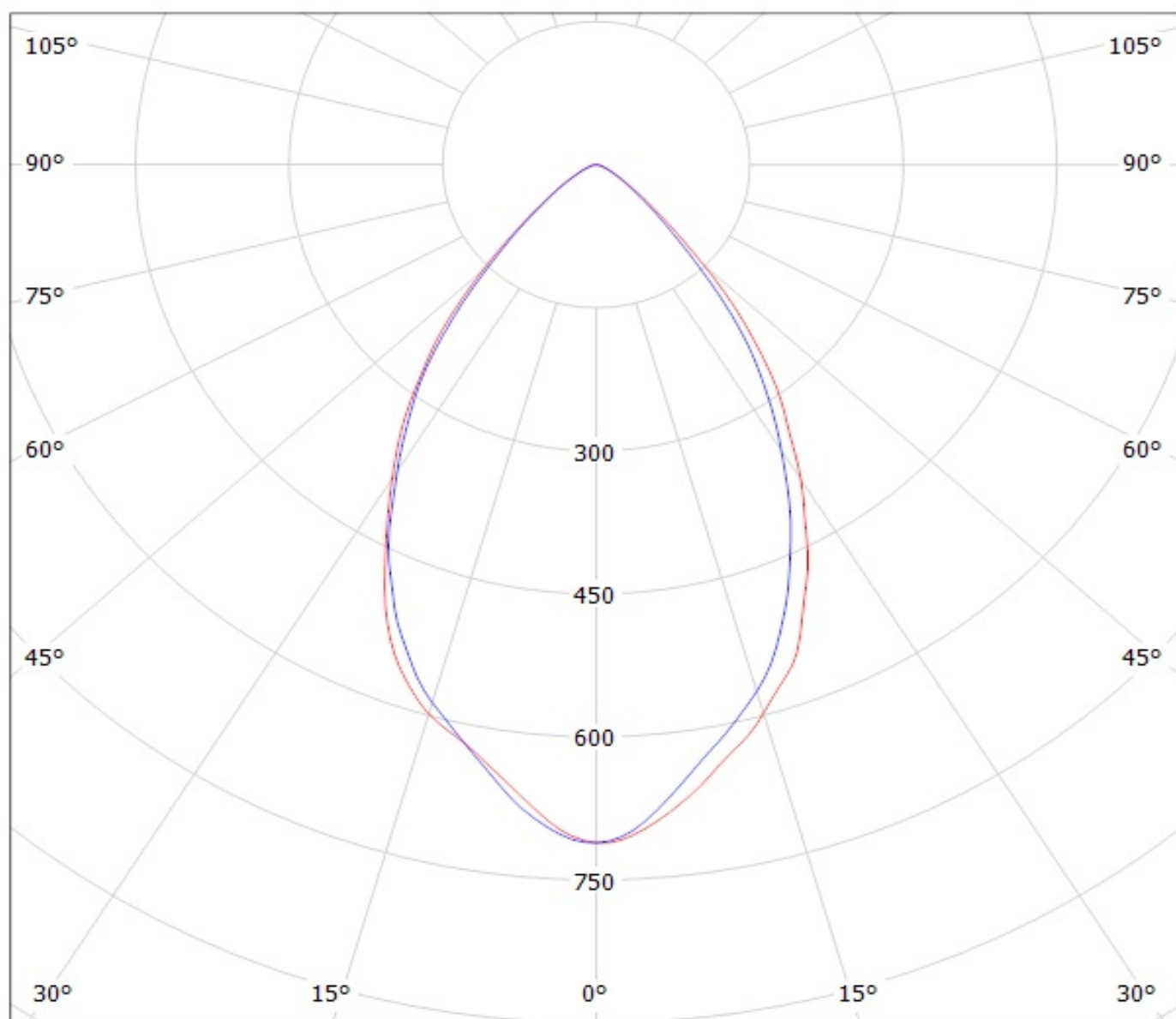


cd/klm

— C0 - C180 — C90 - C270

$\eta = 89\%$

Luminaire: LEDil Oy CA13498_EMILY-WWW_(XP-L)
Lamps: 1 x Cree XP-L (124.35lm @ 250mA) $P=0.7W$ $I=250mA$



cd/klm

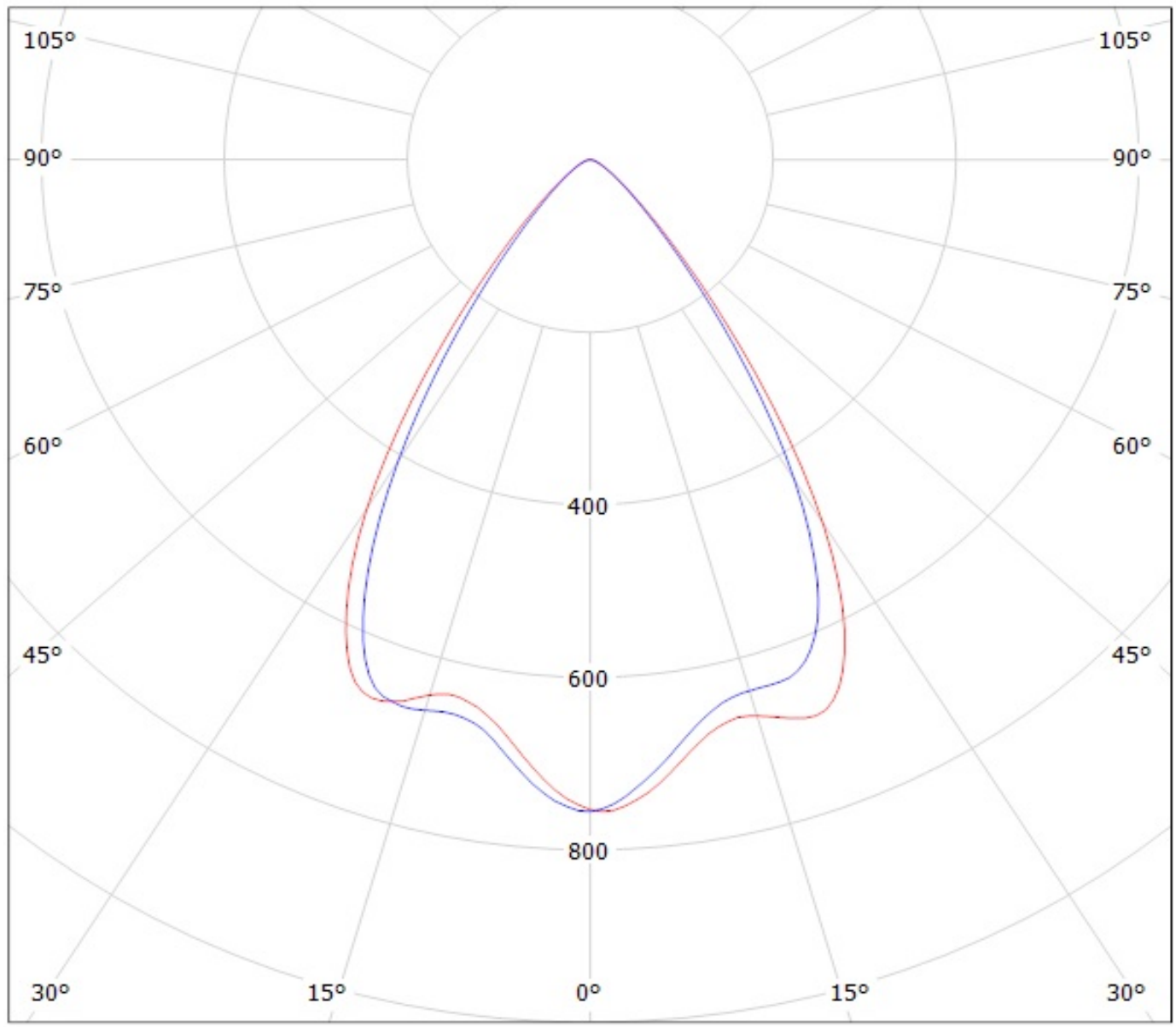
— C0 - C180

— C90 - C270

$\eta = 83\%$

Luminaire: LEDiL Oy CA13498_EMILY-WWW_(XP-L_HI)

Lamps: 1 x Cree_XP-L_HI_114.406lm@250mA_P=0.745352W_I=0.2499A



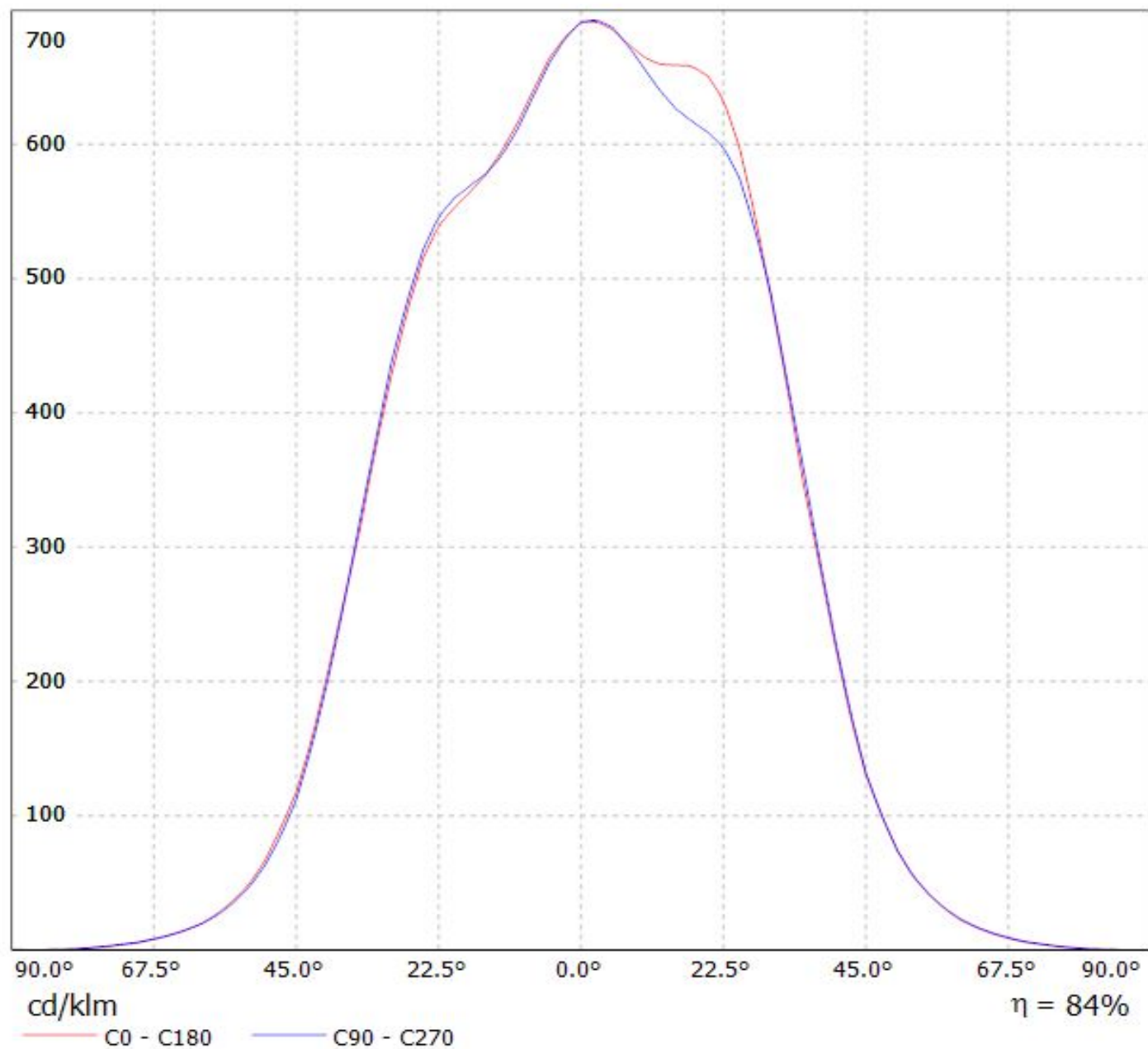
cd/klm

— C0 - C180

— C90 - C270

$\eta = 88\%$

Luminaire: LEDiL Oy
Lamps: 1 x CA13498_EMILY-WWW_(XHP35)



NOTE: The typical divergence will be changed by different color, chip size and chip position tolerance. The typical total divergence is the full angle measured where the luminous intensity is half of the peak value.