

D

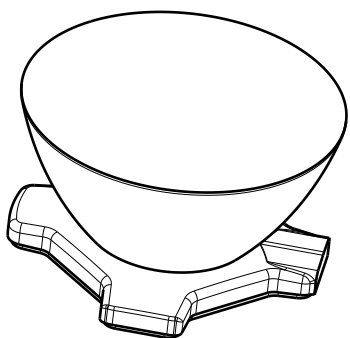
C

B

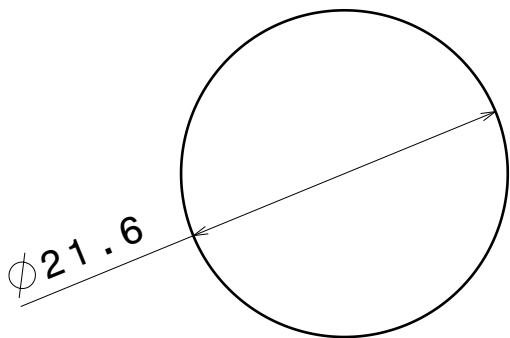
A

4

4



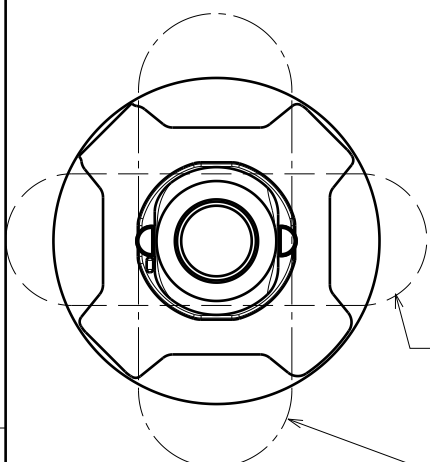
Isometric view



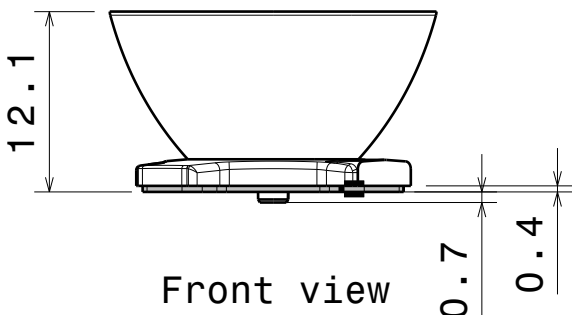
Top view

3

3



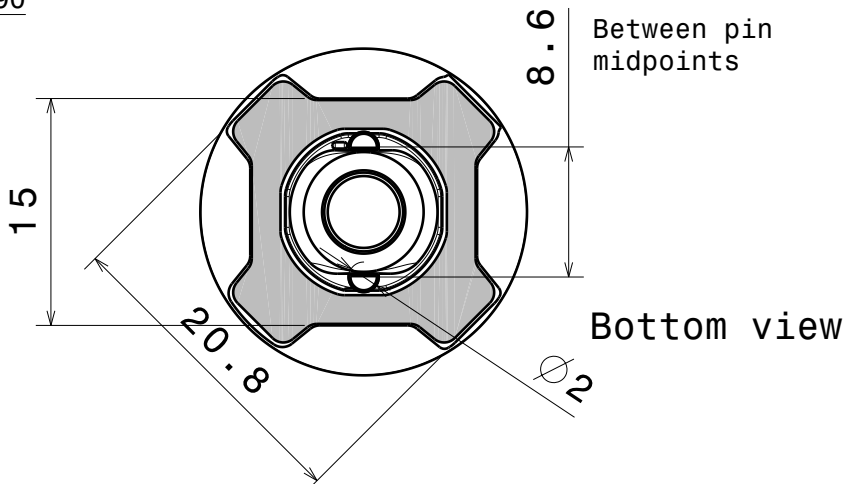
Bottom view



Front view

2

2



Bottom view

Material:
 Lens PMMA
 Tape PU Foam

This drawing is our property.
 It can't be reproduced
 or communicated without
 our written agreement.



Ledi1 Oy
 Salorankatu 10
 FIN-24100 SALO
 Finland

DRAWING TITLE
 Datasheet Heidi-0 assy

DRAWN BY
 j_p

DATE
 3.9.2013

CHECKED BY

DATE

SIZE
 A4

DRAWING NUMBER

REV
 001

DESIGNED BY

DATE

SCALE 2:1

WEIGHT (g)

SHEET

1 / 1

D

A

1

1