

6

5

4

3

2

1

APPROVED: _____

DATE: _____ TITLE: _____

CUSTOM CABLE ASSEMBLIES ARE NON-CANCELLABLE / NON-RETURNABLE

Rev	AWO #	Description	Date	Appr
-		RELEASED	11/16/18	

D

D

C

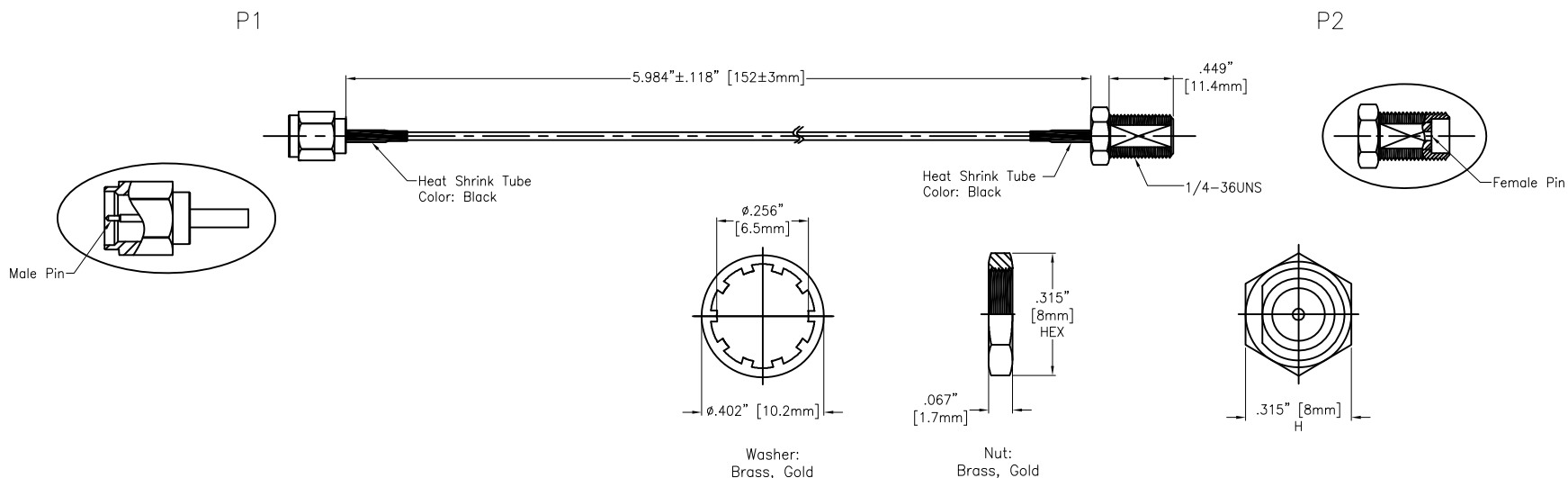
C

B

B

A

A



SPECIFICATIONS:

Connector:

P1= SMA Straight Plug Connector, Male Pin, Gold plated
P2= SMA Straight Jack Connector, Female Pin, Gold plated

Cable:

RG316

Electrical:

Impedance: 50 ohms
Frequency range: DC-6 GHz

Electrical Test:

All Assemblies must be 100% Tested for
Shorts, Open, Continuity, and Physical Appearance.

Environmental:

Lead free, RoHS compliant



UNLESS OTHERWISE SPECIFIED ALL DIMENSIONS ARE INCHES [MM] TOLERANCES: EXCEPT AS NOTED INCHES HOLES		ADAM TECH		909 Rahway Avenue, Union, NJ 07083 Phone: 908-687-5000 Fax: 908-687-5710	
.X ± .10 Ø.X ± .10 .XX ± .020 Ø.XX ± .015 .XXX ± .015 Ø.XXX ± .010		INTERCONNECTS		TITLE CUSTOM ASSEMBLY, SMA ST PLUG TO SMA ST JACK, RG316 CABLE	
APPROVALS		DATE		SIZE PART NO. REV.	
DRAWN	AY	11/16/18		X CA#DKCA1-152L5-APAJ -	
CHECKED	AC	11/16/18		REF: S00291T SCALE: NTS SHEET 1 OF 1	
APPROVED					

6

5

4

3

2

1