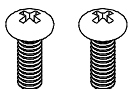
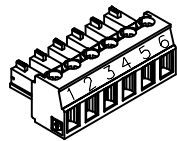
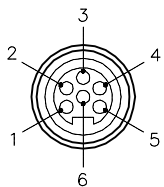


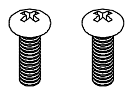
J1, J2 CONNECTOR

TERMINAL BLOCK PLUGS

COVER SCREWS INCLUDED



FORM 8 CONDUIT BODIES:
10-24 SCREWS



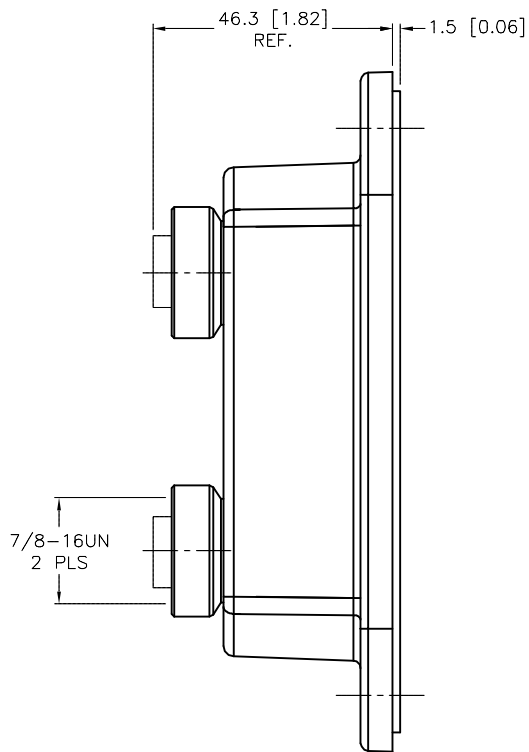
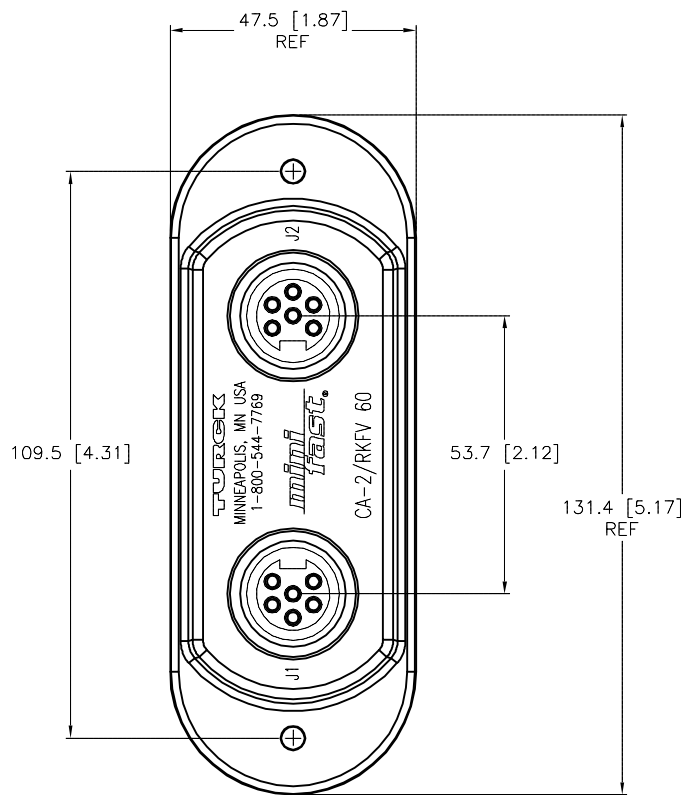
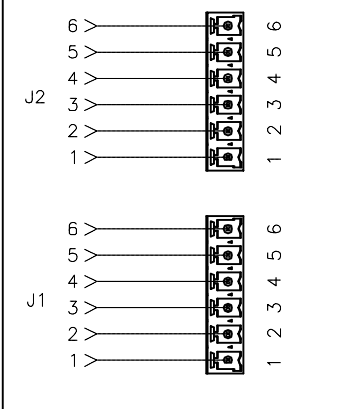
MARK 9 CONDUIT BODIES:
8-32 SCREWS



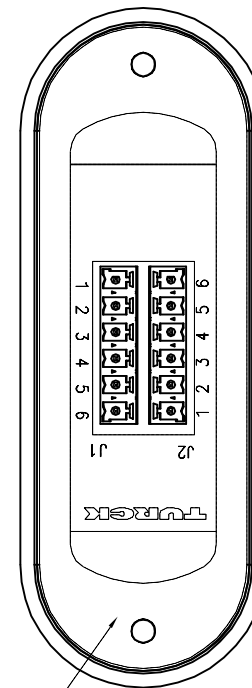
SPECIFICATIONS

HOUSING MATERIAL/COLOR	NYLON 66 - 33% GLASS FILLED/BLACK
RECEPTACLE HOUSING MATERIAL/FINISH	STAINLESS STEEL/PASSIVATED
CONTACT CARRIERS/COLOR	TPU/BLACK
CONTACT MATERIAL/PLATING	BRASS/GOLD
OPERATING VOLTAGE	250 V
OPERATING CURRENT	8.0 A PER CONDUCTOR
PROTECTION CLASS to DIN 40050	IP 67 - ONLY WHEN ALL RECEPTACLES ARE COVERED WITH PLUGS OR CONNECTED
OPERATING TEMPERATURE	-30°C to +80°C (-22°F to +176°F)

WIRING DIAGRAM



SEALING GASKET



SOURCE DRAWING - FOR REFERENCE ONLY

RELATED DOCUMENTS 1. 2. 3. 4.	3RD ANGLE PROJECTION 	THIS DRAWING IS CONFIDENTIAL AND THE PROPERTY OF TURCK INC. USE OF THIS DOCUMENT WITHOUT WRITTEN PERMISSION IS PROHIBITED.		3000 CAMPUS DRIVE MINNEAPOLIS, MN 55441 1-800-544-7769 (763) 553-7300 (763) 553-0708 fax turck.com	
	MATERIAL	DRFT RWC	DATE 01/20/05	DESCRIPTION	
	SEE SPECIFICATIONS	APVD	SCALE 1=1.5	CA-2/RKFV 60	
	FINISH	UNIT OF MEASUREMENT	IDENTIFICATION NO.		REV
SEE SPECIFICATIONS	CONTACT TURCK FOR MORE INFORMATION	MILLIMETER [INCH]		U2-02145 E	
E ADD THICKER GASKET	RDS	09/12/13	42993	DO NOT SCALE THIS DRAWING	
REV DESCRIPTION	BY	DATE	ECO NO.	FILE: U2-02145	SHEET 1 OF 1