



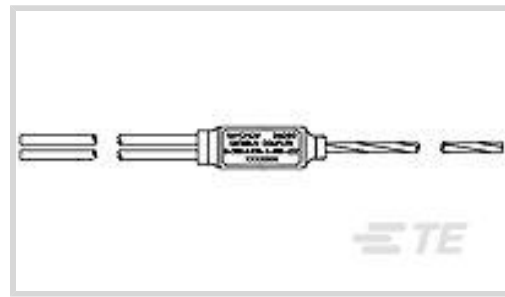
RAYCHEM

TE Internal #: C99073-000

Ultra-Lightweight In-Line Microcoupler Data Bus Coupler, 6.096 m [20 ft], 1 Stubs

[View on TE.com >](#)

Cable Assemblies > Data Bus Components > Data Bus Couplers



Coupler Type: **Ultra-Lightweight In-Line Microcoupler**

Number of Stubs: 1

Cable Assembly Length: **6.096 m [20 ft]**

Features

Product Type Features

Data Bus Cable Type	10613 (Double Optimized Shield Cable)
Coupler Type	Ultra-Lightweight In-Line Microcoupler

Configuration Features

Coupler Options	Without Internal Terminator but with Reverse Bus
Number of Stubs	1

Termination Features

Termination Method to Wire & Cable	Solder
------------------------------------	--------

Usage Conditions

Operating Temperature (Max)	150 °C
-----------------------------	--------

Other

Cable Assembly Length	6.096 m[20 ft]
-----------------------	----------------

Product Compliance

[For compliance documentation, visit the product page on TE.com>](#)

EU RoHS Directive 2011/65/EU	Compliant
EU ELV Directive 2000/53/EC	Compliant
China RoHS 2 Directive MIIT Order No 32, 2016	No Restricted Materials Above Threshold
EU REACH Regulation (EC) No. 1907/2006	Current ECHA Candidate List: JUNE 2023 (235)

Candidate List Declared Against: JUNE 2023 (235)

Does not contain REACH SVHC

Halogen Content

Low Halogen - Br, Cl, F, I < 900 ppm per homogenous material. Also BFR/CFR/PVC Free

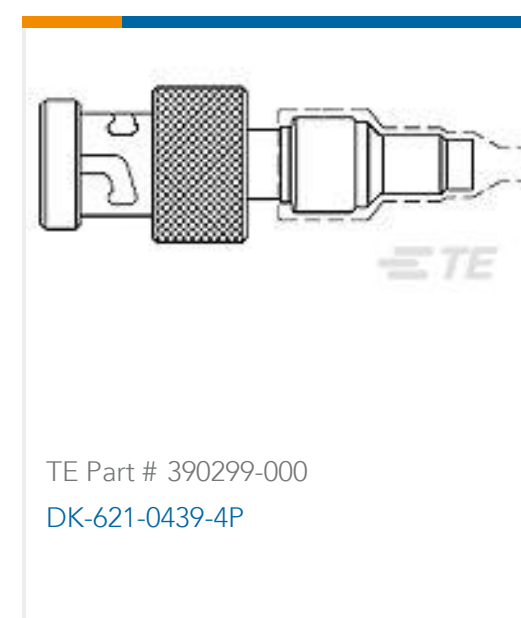
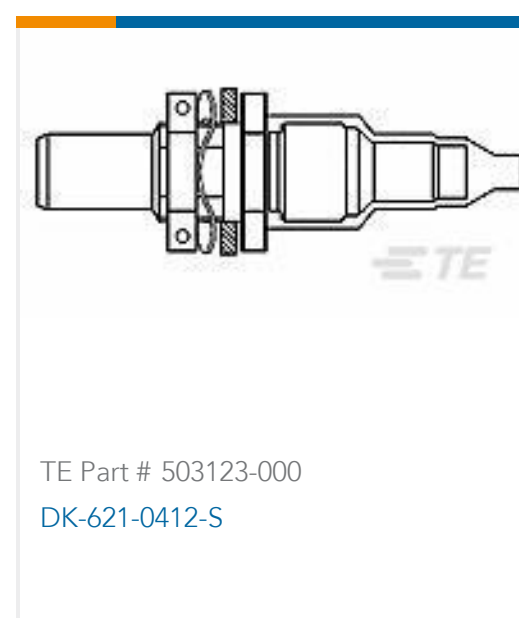
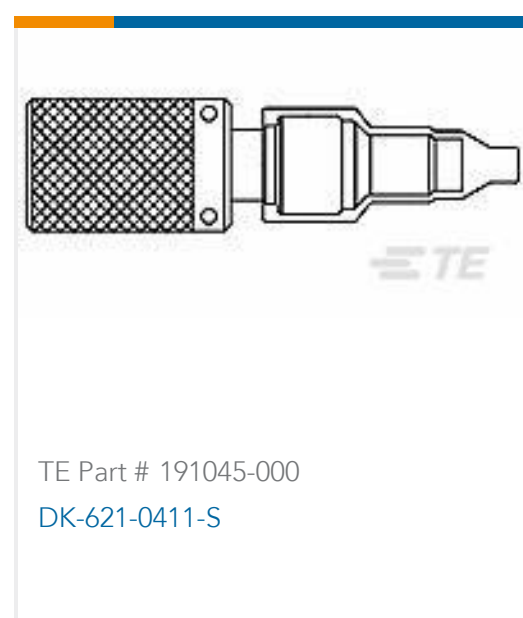
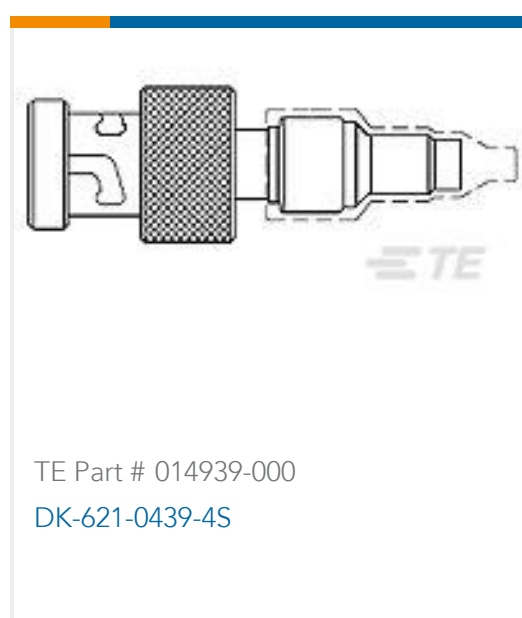
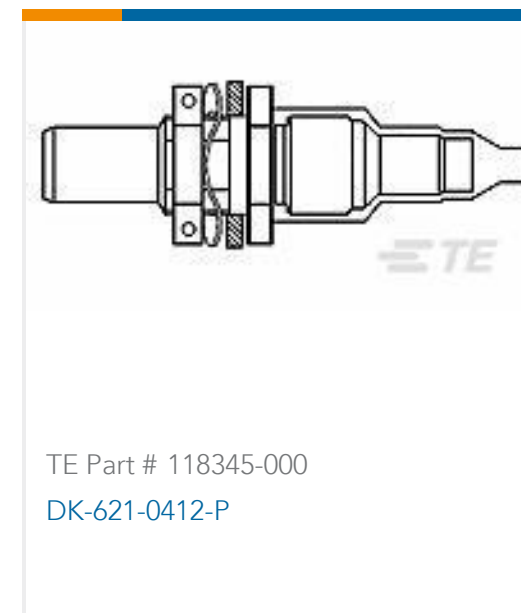
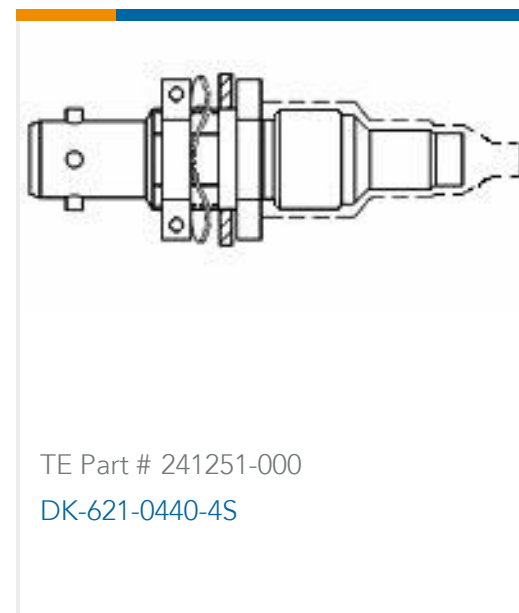
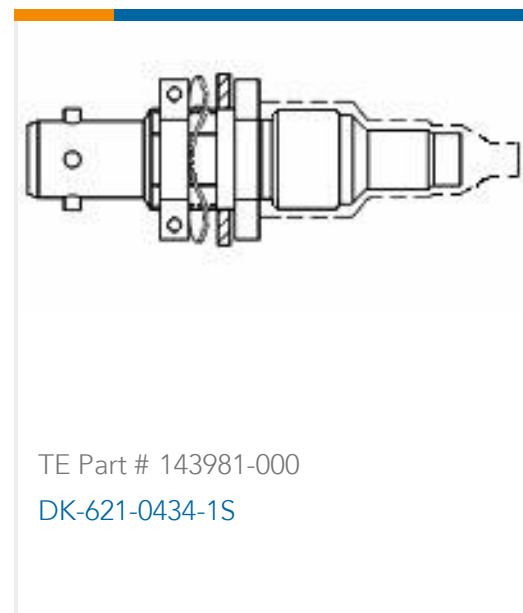
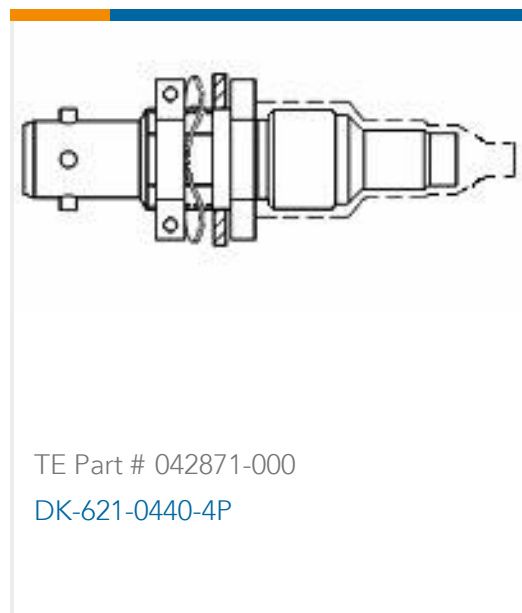
Solder Process Capability

Not applicable for solder process capability

Product Compliance Disclaimer

This information is provided based on reasonable inquiry of our suppliers and represents our current actual knowledge based on the information they provided. This information is subject to change. The part numbers that TE has identified as EU RoHS compliant have a maximum concentration of 0.1% by weight in homogenous materials for lead, hexavalent chromium, mercury, PBB, PBDE, DBP, BBP, DEHP, DIBP, and 0.01% for cadmium, or qualify for an exemption to these limits as defined in the Annexes of Directive 2011/65/EU (RoHS2). Finished electrical and electronic equipment products will be CE marked as required by Directive 2011/65/EU. Components may not be CE marked. Additionally, the part numbers that TE has identified as EU ELV compliant have a maximum concentration of 0.1% by weight in homogenous materials for lead, hexavalent chromium, and mercury, and 0.01% for cadmium, or qualify for an exemption to these limits as defined in the Annexes of Directive 2000/53/EC (ELV). Regarding the REACH Regulation, the information TE provides on SVHC in articles for this part number is based on the latest European Chemicals Agency (ECHA) 'Guidance on requirements for substances in articles' posted at this URL: <https://echa.europa.eu/guidance-documents/guidance-on-reach>

Compatible Parts





TE Part # 449453-000
D-150-0708-5

TE Part # 724447-000
DK-621-0435-2S

TE Part # 530805-000
DK-621-0436-2P

TE Part # 704201-000
DK-621-0438-3S

TE Part # 734989-000
DK-621-0437-3S

TE Part # 070351-000
DK-621-0435-2P

TE Part # 652913-000
DK-621-0437-3P

TE Part # 638491-000
DK-621-0434-1P

TE Part # 633671-000
DK-621-0433-1S

TE Part # 902973-000
DK-621-0411-P

TE Part # 365668-000
DK-621-0439-4US

TE Part # 383392-000
DK-621-0438-3US

Customers Also Bought

TE Part #806696-000
Heat Shrink Boots: Non Lipped,
Straight

TE Part #878505-000
Bulbous Heat Shrink Boots: Lipped,
Straight

TE Part #012760-000
222K174-12-0

TE Part #YDTS26W17-35PAV001
PLUG ASSY

TE Part #328711-000
D-150-0231

TE Part #CT99543001
RAY-103-30.0(50)

TE Part #AAE7676-00
PRC433-25U-1-B-AD-LC5-01

Documents



Product Drawings

[D-500-L456-1-613-240](#)

English

Datasheets & Catalog Pages

[Data Bus Components Brochure](#)

English