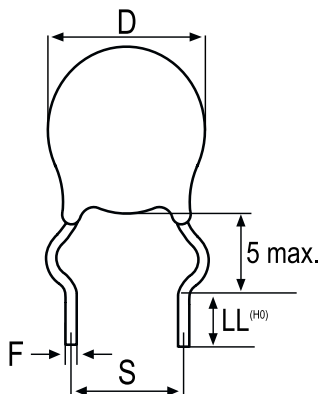


Ceramic, Safety, C900_V, 1000 pF, 10%, Y5P, Lead Spacing = 10mm



Dimensions	
D	11mm MAX
T	5mm MAX
S	10mm +/-1mm
LL	18mm +2/-0mm
F	0.55mm +/-0.1mm

Packaging Specifications	
Packaging:	Ammo, H0 = 18mm, Component Pitch = 25.4mm +/-2mm
Packaging Quantity:	1000

General Information	
Style:	Radial Disc
Series:	C900_V
RoHS:	Yes
Termination:	Tin
Failure Rate:	N/A
Safety Class:	X1/Y1
Approvals:	UL, ENEC, CSA
Halogen Free:	Yes

Specifications	
Capacitance:	1000 pF
Capacitance Tolerance:	10%
Voltage:	400 VAC (X), 400 VAC (Y)
Dielectric Withstanding Voltage:	4,000 V
Temperature Range:	-25/+125C
Temperature Coefficient:	Y5P
Dissipation Factor:	2.5%
Insulation Resistance:	10 GOhms