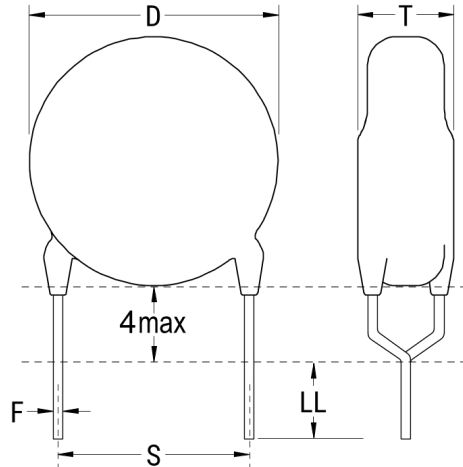


C935U101JYSDBAWL45

Obsolete

C900AC SFTY X1-400 Y2-250, Ceramic, 100 pF, 5%, 400 VAC (X1), 250 VAC (Y2), SL, 5mm



Click [here](#) for the 3D model.

Dimensions

| | |
|----|-----------------|
| D | 10mm MAX |
| T | 5mm MAX |
| S | 5mm +/-0.8mm |
| LL | 4.5mm +/-1mm |
| F | 0.55mm +/-0.1mm |

Packaging Specifications

| | |
|--------------------|-----------|
| Packaging | Bulk, Bag |
| Packaging Quantity | 500 |

General Information

| | |
|----------------|---------------------------|
| Series | C900AC SFTY X1-400 Y2-250 |
| Style | Radial Disc |
| RoHS | Yes |
| Termination | Tin |
| Lead | V-Crimp |
| Failure Rate | N/A |
| Qualifications | VDE, ENEC, UL, cUL |
| AEC-Q200 | No |

Specifications

| | |
|-------------------------|----------------------------|
| Capacitance | 100 pF |
| Capacitance Tolerance | 5% |
| Voltage AC | 400 VAC (X1), 250 VAC (Y2) |
| Temperature Range | -40/+125°C |
| Temperature Coefficient | SL |
| Insulation Resistance | 10 GOhms |
| Safety Class | X1/Y2 |

Statements of suitability for certain applications are based on our knowledge of typical operating conditions for such applications, but are not intended to constitute - and we specifically disclaim - any warranty concerning suitability for a specific customer application or use. This information is intended for use only by customers who have the requisite experience and capability to determine the correct products for their application. Any technical advice inferred from this information or otherwise provided by us with reference to the use of our products is given gratis, and we assume no obligation or liability for the advice given or results obtained.