



# Series C82/C92 Standard Dual Beam Solder Tail Edge-Grip Sockets

## FEATURES:

- Dual beam, edge-grip contacts provide high retention with positive wiping action.
- Removable cover provides lower profile.
- Side-to-side stackable.

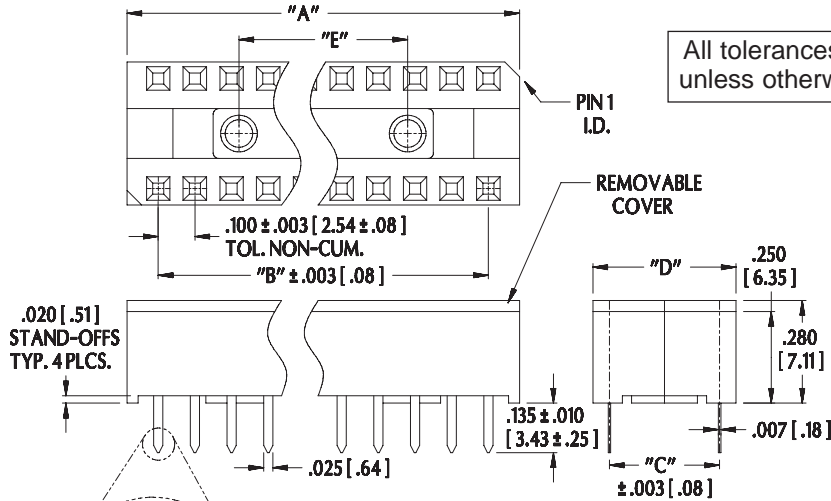
## SPECIFICATIONS:

- Body is black UL-94V-0 Glass-filled 4/6 Nylon.
- Contact is Grade A spring-tempered Phosphor Bronze.
- Contact plating: (all over 50µ" [1.27µm] Nickel per SAE-AMS-QQ-N-290)  
Tin = 200µ" [5.08µm] min Matte Tin per ASTM B545-97.  
Tin/Lead = 50-150µ" [1.27-3.81µm] min. 90/10 Tin/Lead per MIL-P-81728.  
Gold = 10µ" [0.25µm] min. Gold per MIL-G-45204.
- Contact current rating=1 Amp.
- Contact resistance=20 mOhms initial.
- Insulation resistance=100 MOhms @ 500 VDC per MIL-STD-1344, method 3003.1.
- Dielectric withstanding voltage=1000 VAC.
- Operating temperature= -67°F to 221°F [-55°C to 105°C] Tin = -67°F to 257°F [-55°C to 125°C] Gold
- Solderability: MIL-STD-202, method 208 less heat aging.
- Accepts leads up to .011 x .018 ± .003 [.28 x .46 ± .08] or .021 [.53] diameter.
- Accepts leads .100-.200 [2.54-5.08] long with cover.

## MOUNTING CONSIDERATIONS:

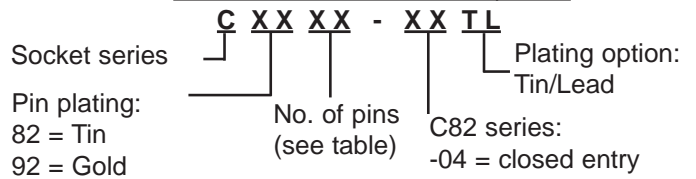
- Suggested PCB hole size=.036 ± .002 [.91 ± .05] dia.

**ALL DIMENSIONS: INCHES [MILLIMETERS]**

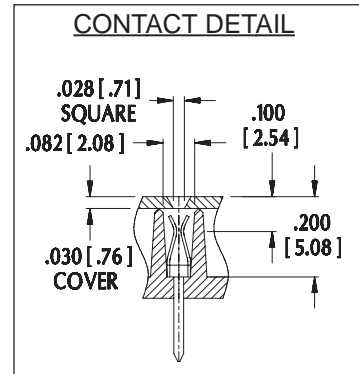


All tolerances ± .005 [.13] unless otherwise specified

## ORDERING INFORMATION



- C82 series:  
-04 = closed entry  
-54 = open entry  
C92 series:  
-00 = closed entry  
-50 = open entry



No. of Pins	Dim. "A"	Dim. "B"	Centers "C"	Dim. "D" (max)	Dim. "E"
8	.465 [11.81]	.300 [7.62]	.300 [7.62]	.400 [10.16]	---
14	.765 [19.43]	.600 [15.24]	.300 [7.62]	.400 [10.16]	.300 [7.62]
16	.865 [21.97]	.700 [17.78]	.300 [7.62]	.400 [10.16]	.400 [10.16]
18	.965 [24.51]	.800 [20.32]	.300 [7.62]	.400 [10.16]	.400 [10.16]
20	1.065 [27.05]	.900 [22.86]	.300 [7.62]	.400 [10.16]	.400 [10.16]
22	1.180 [29.97]	1.000 [25.40]	.400 [10.16]	.500 [12.70]	.500 [12.70]
24	1.280 [32.51]	1.100 [27.94]	.600 [15.24]	.700 [17.78]	.500 [12.70]
28	1.480 [37.59]	1.300 [33.02]	.600 [15.24]	.700 [17.78]	.500 [12.70]
36	1.880 [47.75]	1.700 [43.18]	.600 [15.24]	.700 [17.78]	.800 [20.32]
40	2.080 [52.83]	1.900 [48.26]	.600 [15.24]	.700 [17.78]	.800 [20.32]

Pin tails can be bent over without breaking for mounting on PCB



http://www.arieselec.com • info@arieselec.com

NORTH AMERICA  
Frenchtown, NJ USA  
TEL: (908) 996-6841  
FAX: (908) 996-3891



EUROPE  
TEL: +44 870 240 0249  
FAX: +44 871 919 6033  
europe@arieselec.com



12002  
REV.C