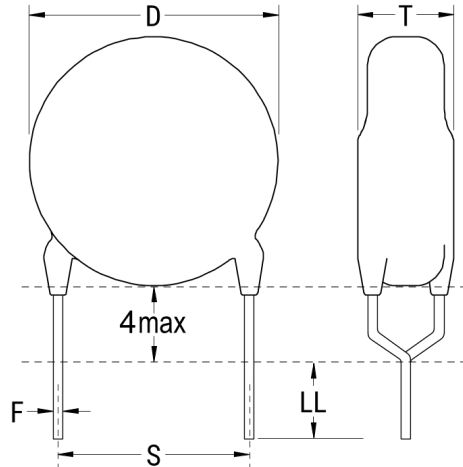


## C901U500JZSDBAWL35

Obsolete

C900AC SFTY X1-440 Y2-300, Ceramic, 50 pF, 5%, 440 VAC (X1), 300 VAC (Y2), SL, 10mm



Click [here](#) for the 3D model.

### Dimensions

D	7mm MAX
T	5mm MAX
S	10mm +/-1mm
LL	3.5mm +/-1mm
F	0.55mm +/-0.1mm

### Packaging Specifications

Packaging	Bulk, Bag
Packaging Quantity	500

### General Information

Series	C900AC SFTY X1-440 Y2-300
Style	Radial Disc
RoHS	Yes
Termination	Tin
Lead	V-Crimp
Failure Rate	N/A
Qualifications	VDE, ENEC, UL, cUL
AEC-Q200	No

### Specifications

Capacitance	50 pF
Capacitance Tolerance	5%
Voltage AC	440 VAC (X1), 300 VAC (Y2)
Temperature Range	-40/+125°C
Temperature Coefficient	SL
Insulation Resistance	10 GOhms
Safety Class	X1/Y2