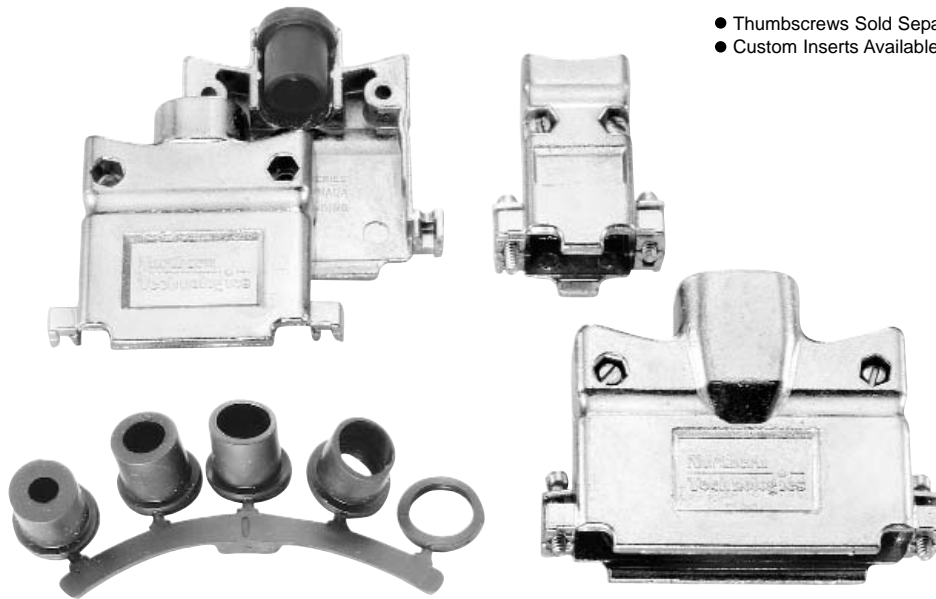
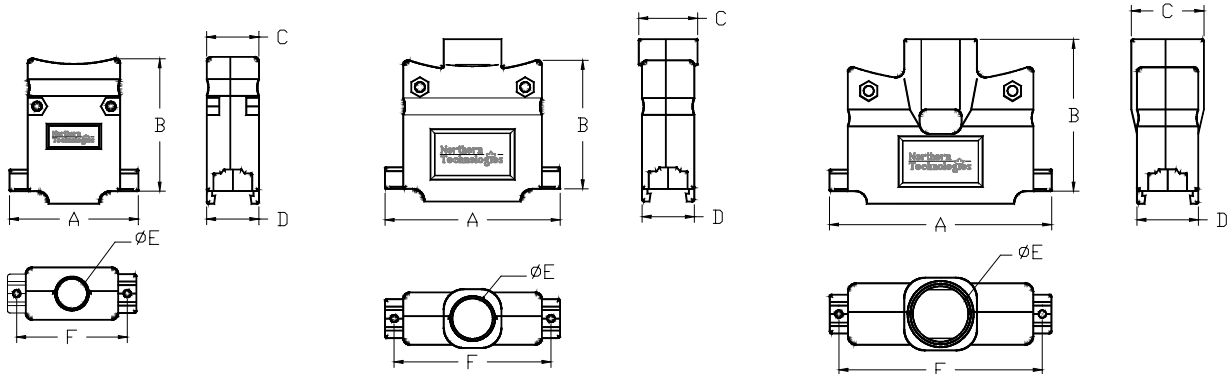


CM SERIES - METAL COVERS



- Thumbscrews Sold Separately (See Page 25).
- Custom Inserts Available (See Page 24).



9 AND 15 POSITIONS

25 POSITION

37 AND 50 POSITIONS

METAL COVERS - CM SERIES - DIMENSIONS									
		PART NUMBERS		INCHES [MM]					
Size		NorTech Logo	No Logo	A	B	C	D	E	F
9 Position	PKG	C88000218	C88000209	1.225	1.465	0.620	0.620	0.400	0.984
	BULK	A29921090	A29821093	[31.12]	[37.21]	[15.75]	[15.75]	[10.10]	[25.00]
15 Position	PKG	C88000207	C88000211	1.540	1.600	0.620	0.620	0.400	1.312
	BULK	A29921150	A29821153	[39.11]	[40.64]	[15.75]	[15.75]	[10.10]	[33.32]
25 Position	PKG	C88000203	C88000204	2.090	1.550	0.690	0.620	0.525	1.857
	BULK	A29921250	A29821255	[53.08]	[39.37]	[17.52]	[15.75]	[13.33]	[47.17]
37 Position	PKG	C88000206	C88000210	2.730	1.800	0.864	0.620	0.726	2.500
	BULK	A29921370	A29821373	[69.34]	[45.72]	[21.94]	[15.75]	[18.44]	[63.50]
50 Position	PKG	C88000208	C88000212	2.626	1.800	0.864	0.730	0.726	2.406
	BULK	A29921500	A29821503	[66.70]	[45.72]	[21.94]	[18.54]	[18.44]	[61.11]