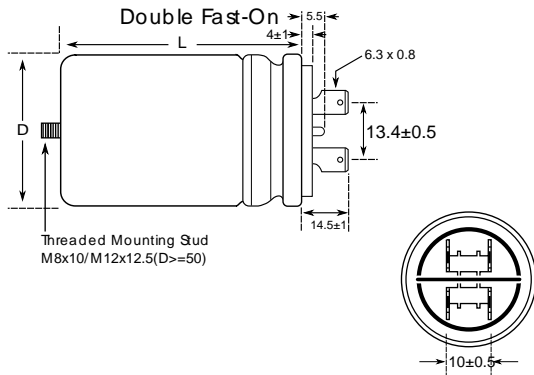


Capacitor, film, 55 uF, +/-5% Tol, 470VAC, Motor Run



Dimensions (mm)		
Symbol	Dimension	Tolerance
D	50	+1
L	133	+/-2

Packaging Specifications	
Package Kind:	Bulk

General Information	
Supplier:	KEMET
Construction:	Aluminum Case Plastic Cover with Spun Seal

Specifications	
Capacitance:	55 uF
Voltage AC:	470VAC
Tolerance:	+/-5%
Dielectric:	Film-Foil Polypropylene
Rated Temperature:	85C
Life @ rated temp:	10000 Hrs
Life @ alt temp:	30000 Hrs
Life alt temp:	85C
Life alt conditions:	420V
Application:	Motor Run
Body Type:	Round Can
Temperature Range:	-25/+85C
Lead Type:	Fast-on
Lead Specification:	2+2
Mounting Type:	Bolt: M12x12.5
Maximum dVdT:	20 v/us

Agency Approvals	
Approval UL:	Yes
Approval VDE:	Yes
Approval CQC:	Yes
Approval Notes:	CSA(600Vac)
Safety Class:	P2

Statements of suitability for certain applications are based on our knowledge of typical operating conditions for such applications, but are not intended to constitute - and we specifically disclaim - any warranty concerning suitability for a specific customer application or use. This Information is intended for use only by customers who have the requisite experience and capability to determine the correct products for their application. Any technical advice inferred from this Information or otherwise provided by us with reference to the use of our products is given gratis, and we assume no obligation or liability for the advice given or results obtained.