

B-155-9001 ✓ ACTIVE

RAYCHEM

TE Internal #: C67976-000

SolderSleeve Shield Terminators, 1.65 mm [.065 in] Expanded Inside, .38 mm [.015 in] Recovered Inside

[View on TE.com >](#)



Wire Protection & Management > Interconnect Devices > SolderSleeve Shield Terminators



Operating Temperature (Max): 125 °C

Expanded Inside Diameter (Min): 1.65 mm [.065 in]

Recovered Inside Diameter (Max): .38 mm [.015 in]

Pre-Installed Lead: No

Wire Temperature (Max): 85 °C

Features

Configuration Features

Pre-Installed Lead	No
--------------------	----

Dimensions

Expanded Inside Diameter (Min)	1.65 mm [.065 in]
Recovered Inside Diameter (Max)	.38 mm [.015 in]

Usage Conditions

Operating Temperature (Max)	125 °C
Wire Temperature (Max)	85 °C

Product Compliance

[For compliance documentation, visit the product page on TE.com>](#)

EU RoHS Directive 2011/65/EU	Compliant
EU ELV Directive 2000/53/EC	Compliant
China RoHS 2 Directive MIIT Order No 32, 2016	No Restricted Materials Above Threshold
EU REACH Regulation (EC) No. 1907/2006	Current ECHA Candidate List: JUNE 2023 (235) Candidate List Declared Against: JUNE 2023 (235) Does not contain REACH SVHC
Halogen Content	Low Halogen - Br, Cl, F, I < 900 ppm per homogenous material. Also BFR/CFR/PVC Free

Solder Process Capability

Not applicable for solder process capability

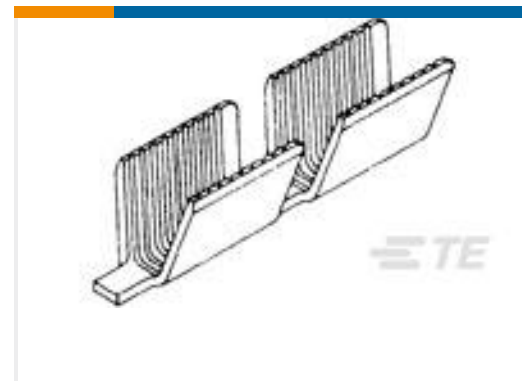
Product Compliance Disclaimer

This information is provided based on reasonable inquiry of our suppliers and represents our current actual knowledge based on the information they provided. This information is subject to change. The part numbers that TE has identified as EU RoHS compliant have a maximum concentration of 0.1% by weight in homogenous materials for lead, hexavalent chromium, mercury, PBB, PBDE, DBP, BBP, DEHP, DIBP, and 0.01% for cadmium, or qualify for an exemption to these limits as defined in the Annexes of Directive 2011/65/EU (RoHS2). Finished electrical and electronic equipment products will be CE marked as required by Directive 2011/65/EU. Components may not be CE marked. Additionally, the part numbers that TE has identified as EU ELV compliant have a maximum concentration of 0.1% by weight in homogenous materials for lead, hexavalent chromium, and mercury, and 0.01% for cadmium, or qualify for an exemption to these limits as defined in the Annexes of Directive 2000/53/EC (ELV). Regarding the REACH Regulation, the information TE provides on SVHC in articles for this part number is based on the latest European Chemicals Agency (ECHA) 'Guidance on requirements for substances in articles' posted at this URL: <https://echa.europa.eu/guidance-documents/guidance-on-reach>

Customers Also Bought



TE Part #4-1879011-9
SMF2 22K 5%



TE Part #62303-2
AMVAR SPLC 400-1500 016TPBR



TE Part #3-747579-6
SHLDNG FERRULE, PLTD, BULK PKG



TE Part #2176412-6
5W XSM M/OX 5% 8R2



TE Part #5-846290-6
LGH-4 SGL MOLDED END LEAD



TE Part #2292863-1
AS16 BACKSHELL, 6P CAP, SMOOTH EXIT, MC



TE Part #E74832-000
B-155-9003



TE Part #F40876-000
B-155-9002



TE Part #1-66471-7
PIN, .062 DIA, .045 SQ POST, LP

Documents

Product Drawings

B-155-9001

English



CAD Files

Customer View Model

[ENG_CVM_CVM_C67976-000_A.2d_dxf.zip](#)

English

Customer View Model

[ENG_CVM_CVM_C67976-000_A.3d_stp.zip](#)

English

Customer View Model

[ENG_CVM_CVM_C67976-000_A.3d_igs.zip](#)

English

3D PDF

3D

By downloading the CAD file I accept and agree to the [Terms and Conditions](#) of use.

Datasheets & Catalog Pages

[Raychem Electrical Interconnect Products](#)

English