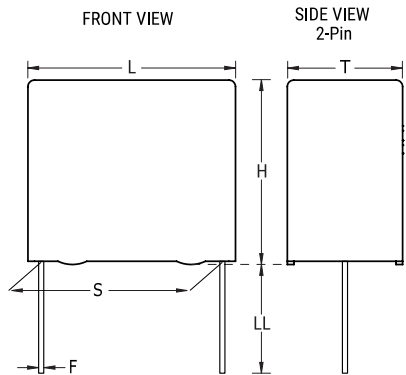


C4AT, Film, Metallized Polypropylene, Power, 1 uF, 10%, 450 VAC, 850 VDC, 70°C, Lead Spacing = 27.5mm



Dimensions

L	32mm NOM
H	33mm NOM
T	18mm NOM
S	27.5mm +/-0.4mm
LL	6mm -2mm
F	0.8mm NOM

Packaging Specifications

Packaging:	Bulk, Bag
Packaging Quantity:	80

General Information

Series:	C4AT
Dielectric:	Metallized Polypropylene
Style:	Radial
Features:	Switching
RoHS:	Yes
Lead:	Wire Leads

Specifications

Capacitance:	1 uF
Capacitance Tolerance:	10%
Voltage AC:	450 VAC
Voltage DC:	850 VDC
Temperature Range:	-40/+85°C
Rated Temperature:	70°C
Dissipation Factor:	0.05%
Max dV/dt:	148 V/us
Resistance:	7.1 mOhms (100kHz)
Ripple Current:	9 Amps (100kHz 70C), 148 Amps (Peak)