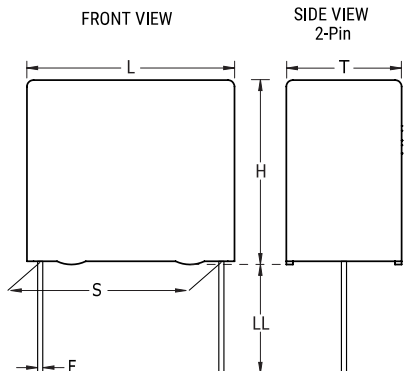


C4AS, Film, Metallized Polypropylene, Power, 1.2 uF, 10%, 630 VAC, 1200 VDC, 70°C, Lead Spacing = 37.5mm



**Dimensions**

|           |                 |
|-----------|-----------------|
| <b>L</b>  | 42.5mm NOM      |
| <b>H</b>  | 37mm NOM        |
| <b>T</b>  | 28mm NOM        |
| <b>S</b>  | 37.5mm +/-0.4mm |
| <b>LL</b> | 6mm -2mm        |
| <b>F</b>  | 1.2mm NOM       |

**Packaging Specifications**

|                            |           |
|----------------------------|-----------|
| <b>Packaging:</b>          | Bulk, Bag |
| <b>Packaging Quantity:</b> | 36        |

**General Information**

|                    |                          |
|--------------------|--------------------------|
| <b>Series:</b>     | C4AS                     |
| <b>Dielectric:</b> | Metallized Polypropylene |
| <b>Style:</b>      | Radial                   |
| <b>RoHS:</b>       | Yes                      |
| <b>Lead:</b>       | Wire Leads               |

**Specifications**

|                               |                                        |
|-------------------------------|----------------------------------------|
| <b>Capacitance:</b>           | 1.2 uF                                 |
| <b>Capacitance Tolerance:</b> | 10%                                    |
| <b>Voltage AC:</b>            | 630 VAC                                |
| <b>Voltage DC:</b>            | 1200 VDC                               |
| <b>Temperature Range:</b>     | -40/+85°C                              |
| <b>Rated Temperature:</b>     | 70°C                                   |
| <b>Dissipation Factor:</b>    | 0.05%                                  |
| <b>Max dV/dt:</b>             | 965 V/us                               |
| <b>Resistance:</b>            | 4 mOhms (100kHz)                       |
| <b>Ripple Current:</b>        | 14 Amps (100kHz 70C), 1158 Amps (Peak) |