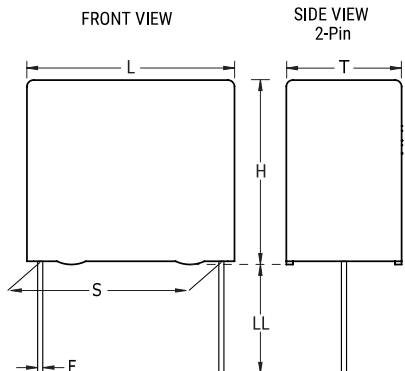


C4AS, Film, Metallized Polypropylene, Power, 4.7 uF, 5%, 600 VAC, 1000 VDC, 70°C, Lead Spacing = 52.5mm



Dimensions	
L	57.5mm -0.7mm
H	50mm -0.7mm
T	35mm -0.7mm
S	52.5mm +/-0.4mm
LL	6mm -2mm
F	1.2mm NOM

Packaging Specifications	
Packaging:	Bulk, Bag
Packaging Quantity:	23

General Information	
Series:	C4AS
Dielectric:	Metallized Polypropylene
Style:	Radial
RoHS:	Yes
Lead:	Wire Leads
AEC-Q200:	No

Specifications	
Capacitance:	4.7 uF
Capacitance Tolerance:	5%
Voltage AC:	600 VAC
Voltage DC:	1000 VDC
Temperature Range:	-40/+85°C
Rated Temperature:	70°C
Dissipation Factor:	0.05%
Max dV/dt:	512 V/us
Resistance:	3.5 mOhms (100kHz)
Ripple Current:	14 Amps (100kHz 70C), 2406 Amps (Peak)