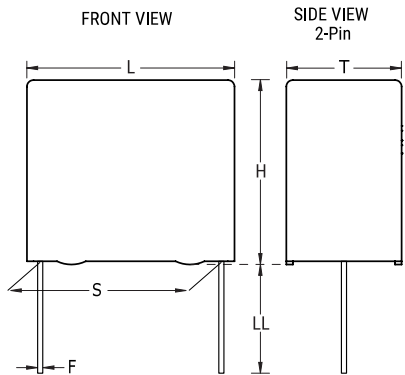


C4AS, Film, Metallized Polypropylene, Power, 0.22 uF, 5%, 600 VAC, 1000 VDC, 70°C, Lead Spacing = 27.5mm



Dimensions

L	32mm -0.7mm
H	22mm -0.7mm
T	13mm -0.7mm
S	27.5mm +/-0.4mm
LL	6mm -2mm
F	1.2mm NOM

Packaging Specifications

Packaging:	Bulk, Bag
Packaging Quantity:	234

General Information

Series:	C4AS
Dielectric:	Metallized Polypropylene
Style:	Radial
RoHS:	Yes
Lead:	Wire Leads
AEC-Q200:	No

Specifications

Capacitance:	0.22 uF
Capacitance Tolerance:	5%
Voltage AC:	600 VAC
Voltage DC:	1000 VDC
Temperature Range:	-40/+85°C
Rated Temperature:	70°C
Dissipation Factor:	0.05%
Max dV/dt:	1344 V/us
Resistance:	9 mOhms (100kHz)
Ripple Current:	11 Amps (100kHz 70C), 296 Amps (Peak)