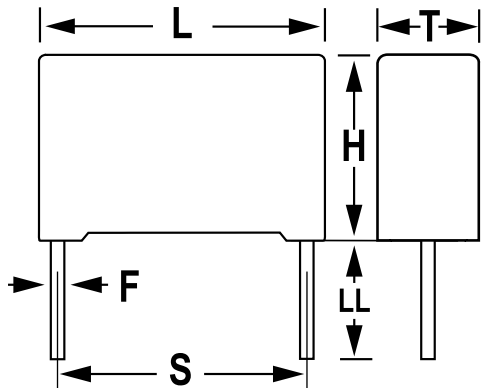


C4AQ, Film, Metallized Polypropylene, Automotive DC Link, 1 uF, 5%, 1300 VDC, 70°C, Lead Spacing = 27.5mm



General Information	
Series:	C4AQ
Dielectric:	Metallized Polypropylene
Style:	Radial
RoHS:	Yes
Lead:	Wire Leads
Qualifications:	AEC-Q200, IEC61071, EN61071, VDE0560
AEC-Q200:	Yes
Miscellaneous:	Rth = 44 C/W.

Dimensions	
L	31.5mm +/-0.5mm
H	20mm +/-0.2mm
T	11mm +/-0.3mm
S	27.5mm +/-0.4mm
LL	6mm +0/-2mm
F	0.8mm +/-0.05mm

Specifications	
Capacitance:	1 uF
Capacitance Tolerance:	5%
Voltage DC:	1300 VDC
Temperature Range:	-55/+105°C
Rated Temperature:	70°C
Dissipation Factor:	0.02% (10 kHz 25C)
Insulation Resistance:	30 MOhms
Max dV/dt:	28 V/us
Resistance:	33.1 mOhms (10kHz 70C)
Ripple Current:	3 Amps Irms (10kHz 70C), 28 Amps Ipk
Inductance:	25 nH

Packaging Specifications	
Packaging:	Bulk, Box
Packaging Quantity:	256