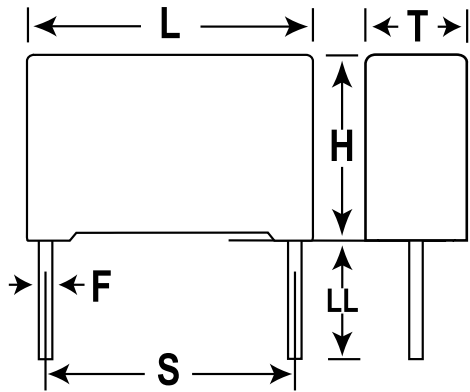


Film, Metallized Polypropylene, DC Link, C4AE, 3.3 uF, 5%, 1,100 V, 70C, Lead Spacing = 27.5mm



Dimensions	
L	31.5mm +0.5mm
H	29mm +0.2mm
T	19mm +0.3mm
S	27.5mm +/-0.4mm
LL	6mm -2mm
F	0.8mm NOM
G	0.5mm NOM

Packaging Specifications	
Packaging:	Bulk

General Information	
Dielectric:	Metallized Polypropylene
Style:	Radial
Series:	C4AE
RoHS:	Yes
Lead:	Wire Leads
Miscellaneous:	Thermal Resistance = 44 C/W

Specifications	
Capacitance:	3.3 uF
Capacitance Tolerance:	5%
Voltage DC:	1100 VDC
Temperature Range:	-40/+85C
Rated Temperature:	70C
Max dVdt:	29 V
Resistance:	11.2 mOhms (10kHz 70C)
Current:	6.5 Amps (10kHz 70C), 95 Amps (Peak)
Inductance:	26 nH