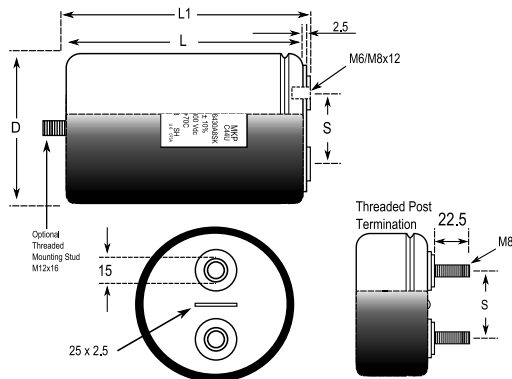


C44U, Film, Metallized Polypropylene, DC Link, 120 uF, 10%, 1300 VDC



General Information	
Series:	C44U
Dielectric:	Metallized Polypropylene
Style:	Can
Features:	Standard Duty
RoHS:	Yes
Lead:	Threaded Studs M8
AEC-Q200:	No
Miscellaneous:	Thermal Resistance = 6.4 C/W. Weight = 610 grams.

Dimensions	
D	76mm +/-1mm
L	95mm +/-2mm
L1	101mm +/-2mm
S	31.7mm +/-0.2mm

Specifications	
Capacitance:	120 uF
Capacitance Tolerance:	10%
Voltage DC:	1300 VDC
Temperature Range:	-40/+85°C
Rated Temperature:	75°C
Insulation Resistance:	0.25 MOhms
Max dV/dt:	15 V/us
Resistance:	2.5 mOhms (10kHz)
Ripple Current:	43 Amps (10kHz 40C), 1800 Amps (Peak)
Inductance:	36 nH

Packaging Specifications	
Mounting:	Bolt - M12x16
Packaging:	Bulk, Bag
Packaging Quantity:	9