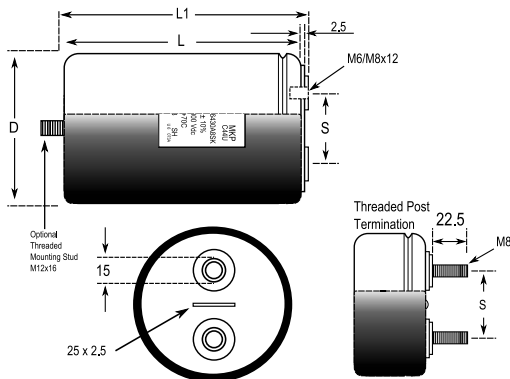


C44U, Film, Metallized Polypropylene, DC Link, 350 uF, 10%, 900 VDC



General Information	
Series:	C44U
Dielectric:	Metallized Polypropylene
Style:	Can
Features:	Heavy Duty
RoHS:	Yes
Lead:	Screw Terminals M6
AEC-Q200:	No
Miscellaneous:	Thermal Resistance = 4.1 C/W. Weight = 833 grams.

Dimensions	
D	85mm +/-1mm
L	140mm +/-2mm
L1	146mm +/-2mm
S	31.7mm +/-0.2mm

Packaging Specifications	
Packaging:	Bulk, Bag
Packaging Quantity:	5

Specifications	
Capacitance:	350 uF
Capacitance Tolerance:	10%
Voltage DC:	900 VDC
Temperature Range:	-40/+85°C
Rated Temperature:	75°C
Insulation Resistance:	0.09 MOhms
Max dV/dt:	7 V/us
Resistance:	3 mOhms (10kHz)
Ripple Current:	60 Amps (10kHz 40C), 2450 Amps (Peak)
Inductance:	60 nH

Statements of suitability for certain applications are based on our knowledge of typical operating conditions for such applications, but are not intended to constitute - and we specifically disclaim - any warranty concerning suitability for a specific customer application or use. This Information is intended for use only by customers who have the requisite experience and capability to determine the correct products for their application. Any technical advice inferred from this Information or otherwise provided by us with reference to the use of our products is given gratis, and we assume no obligation or liability for the advice given or results obtained.