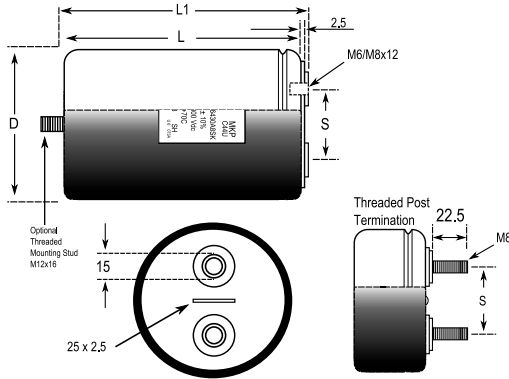


C44U, Film, Metallized Polypropylene, DC Link, 220 µF, 10%, 900 VDC



General Information	
Series:	C44U
Dielectric:	Metallized Polypropylene
Style:	Can
Features:	Heavy Duty
RoHS:	Yes
Lead:	Screw Terminals M6
AEC-Q200:	No
Miscellaneous:	Thermal Resistance = 5.3 C/W. Weight = 574 grams.

Dimensions	
D	76mm +/-1mm
L	120mm +/-2mm
L1	126mm +/-2mm
S	31.7mm +/-0.2mm

Packaging Specifications	
Packaging:	Bulk, Bag
Packaging Quantity:	9

Specifications	
Capacitance:	220 µF
Capacitance Tolerance:	10%
Voltage DC:	900 VDC
Temperature Range:	-40/+85°C
Rated Temperature:	75°C
Insulation Resistance:	0.14 MOhms
Max dV/dt:	9 V/us
Resistance:	3.3 mOhms (10kHz)
Ripple Current:	50 Amps (10kHz 40C), 1980 Amps (Peak)
Inductance:	50 nH