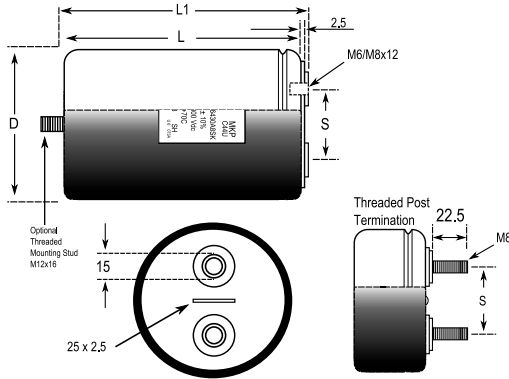


C44U, Film, Metallized Polypropylene, DC Link, 550 µF, 10%, 700 VDC



| General Information |  |
|---------------------|--|
| Series:             | C44U   |
| Dielectric:         | Metallized Polypropylene                             |
| Style:              | Can  |
| Features:           | Heavy Duty   |
| RoHS:               | Yes  |
| Lead:               | Screw Terminals M6                                   |
| AEC-Q200:           | No   |
| Miscellaneous:      | Thermal Resistance = 4.1 C/W.<br>Weight = 831 grams. |

| Dimensions |                 |
|------------|-----------------|
| D          | 85mm +/-1mm     |
| L          | 140mm +/-2mm    |
| L1         | 146mm +/-2mm    |
| S          | 31.7mm +/-0.2mm |

| Packaging Specifications |               |
|--------------------------|---------------|
| Mounting:                | Bolt - M12x16 |
| Packaging:               | Bulk, Bag     |
| Packaging Quantity:      | 5             |

| Specifications         |                                       |
|------------------------|---------------------------------------|
| Capacitance:           | 550 µF                                |
| Capacitance Tolerance: | 10%                                   |
| Voltage DC:            | 700 VDC                               |
| Temperature Range:     | -40/+85°C                             |
| Rated Temperature:     | 75°C                                  |
| Insulation Resistance: | 0.05 MOhms                            |
| Max dV/dt:             | 6 V/us                                |
| Resistance:            | 2.6 mOhms (10kHz)                     |
| Ripple Current:        | 65 Amps (10kHz 40C), 3300 Amps (Peak) |
| Inductance:            | 60 nH                                 |