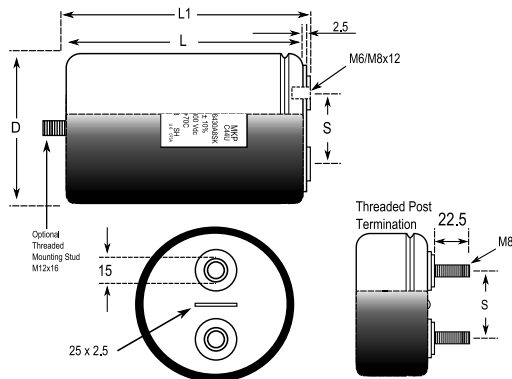


Film, Metallized Polypropylene, DC Link, C44U, 225 uF, 10%, 700 V



Dimensions

D	85mm +/-1mm
L	70mm +/-2mm
S	31.7mm +/-0.2mm

Packaging Specifications

Mounting:	Bolt - M12x16
Packaging:	Bulk
Packaging Quantity:	10

General Information

Dielectric:	Metallized Polypropylene
Style:	Can
Series:	C44U
Features:	Heavy Duty
RoHS:	Yes
Lead:	Screw Terminals M6
Miscellaneous:	Thermal Resistance = 7.2 C/W. Weight = 414 grams

Specifications

Capacitance:	225 uF
Capacitance Tolerance:	10%
Voltage DC:	700 VDC
Temperature Range:	-40/+85C
Rated Temperature:	75C
Max dVdt:	14 V
Resistance:	1.2 mOhms (10kHz)
Current:	70 Amps (10kHz 40C), 3150 Amps (Peak)
Inductance:	40 nH