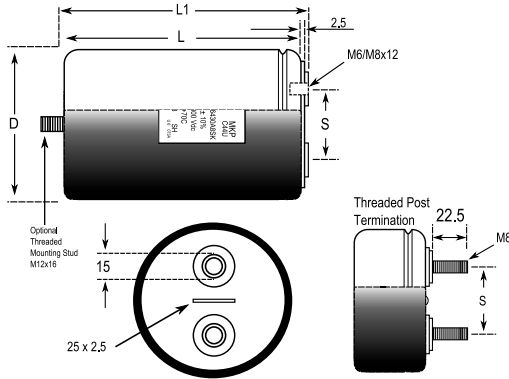


C44U, Film, Metallized Polypropylene, DC Link, 120 uF, 10%, 700 VDC



General Information	
Series:	C44U
Dielectric:	Metallized Polypropylene
Style:	Can
Features:	Heavy Duty
RoHS:	Yes
Lead:	Screw Terminals M6
AEC-Q200:	No
Miscellaneous:	Thermal Resistance = 9.9 C/W. Weight = 280 grams.

Dimensions	
D	76mm +/-1mm
L	55mm +/-2mm
L1	61mm +/-2mm
S	31.7mm +/-0.2mm

Packaging Specifications	
Mounting:	Bolt - M12x16
Packaging:	Bulk, Bag
Packaging Quantity:	18

Specifications	
Capacitance:	120 uF
Capacitance Tolerance:	10%
Voltage DC:	700 VDC
Temperature Range:	-40/+85°C
Rated Temperature:	75°C
Insulation Resistance:	0.25 MOhms
Max dV/dt:	21 V/us
Resistance:	1.1 mOhms (10kHz)
Ripple Current:	63 Amps (10kHz 40C), 2520 Amps (Peak)
Inductance:	36 nH