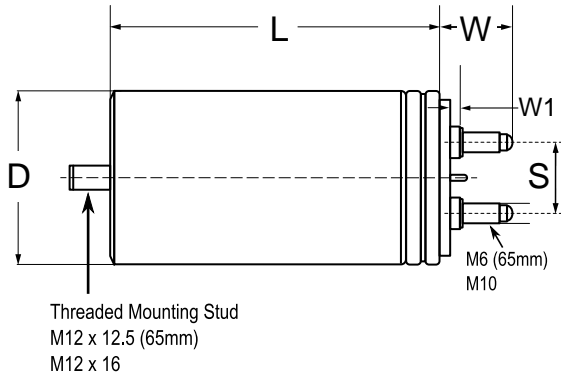


C44H, Film, Metallized Polypropylene, AC Filter, 400 uF, 5%, 330 VAC, 700 VDC



General Information	
Series:	C44H
Dielectric:	Metallized Polypropylene
Style:	Can
Features:	Single Phase PFC
RoHS:	Yes
Lead:	Fast On (2+2)
AEC-Q200:	No
Miscellaneous:	Thermal Resistance = 3 C/W. Surge Voltage = 1050 VDC.

Dimensions	
D	75mm +/-0.5mm
L	242mm +/-2mm
S	35mm +/-1mm

Packaging Specifications	
Mounting:	Bolt - M12x16
Packaging:	Bulk, Bag
Packaging Quantity:	9

Specifications	
Capacitance:	400 uF
Capacitance Tolerance:	5%
Voltage AC:	330 VAC
Voltage DC:	700 VDC
Temperature Range:	-25/+70°C
Rated Temperature:	70°C
Max dV/dt:	12.5 V/us
Resistance:	2.3 mOhms
Ripple Current:	50 Amps (RMS)
Inductance:	160 nH