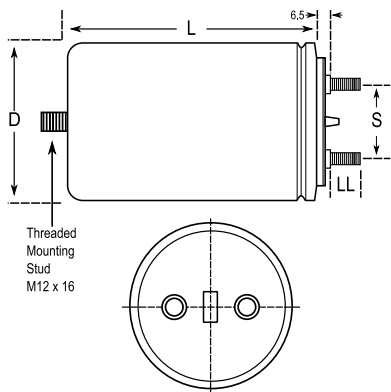


C44E, Film, Metallized Polypropylene, AC Filter, 100 uF, 5%, 440 VAC, 750 VDC



Dimensions	
D	85mm +/-0.5mm
L	185mm +/-2mm
S	35mm +/-0.5mm
LL	25mm NOM

Packaging Specifications	
Mounting:	Bolt - M12x16
Packaging:	Bulk, Bag
Packaging Quantity:	5

General Information	
Series:	C44E
Dielectric:	Metallized Polypropylene
Style:	Can
Features:	Single Phase PFC
RoHS:	Yes
Lead:	Threaded Studs M10
Miscellaneous:	Q = 6.08 kVar. Peak Voltage = 1000 VDC

Specifications	
Capacitance:	100 uF
Capacitance Tolerance:	5%
Voltage AC:	440 VAC
Voltage DC:	750 VDC
Temperature Range:	-40/+70°C
Rated Temperature:	70°C
Max dV/dt:	20 V/us
Ripple Current:	60 Amps, 2000 Amps (Peak)