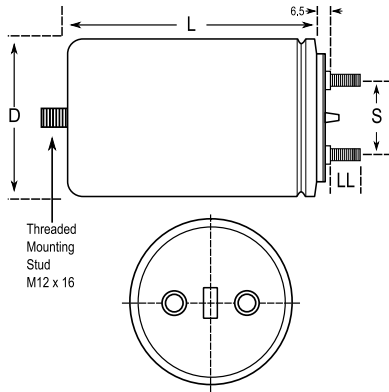


C44E, Film, Metallized Polypropylene, AC Filter, 200 uF, 5%, 380 VAC, 600 VDC



Dimensions	
D	85mm +/-0.5mm
L	260mm +/-2mm
S	35mm +/-0.5mm
LL	25mm NOM

Packaging Specifications	
Mounting:	Bolt - M12x16
Packaging:	Bulk, Bag
Packaging Quantity:	5

General Information	
Series:	C44E
Dielectric:	Metallized Polypropylene
Style:	Can
Features:	Single Phase PFC
RoHS:	Yes
Lead:	Threaded Studs M10
Miscellaneous:	Q = 9.07 kVar. Peak Voltage = 800 VDC

Specifications	
Capacitance:	200 uF
Capacitance Tolerance:	5%
Voltage AC:	380 VAC
Voltage DC:	600 VDC
Temperature Range:	-40/+70°C
Rated Temperature:	70°C
Max dV/dt:	20 V/us
Ripple Current:	60 Amps, 4000 Amps (Peak)

Statements of suitability for certain applications are based on our knowledge of typical operating conditions for such applications, but are not intended to constitute - and we specifically disclaim - any warranty concerning suitability for a specific customer application or use. This Information is intended for use only by customers who have the requisite experience and capability to determine the correct products for their application. Any technical advice inferred from this Information or otherwise provided by us with reference to the use of our products is given gratis, and we assume no obligation or liability for the advice given or results obtained.