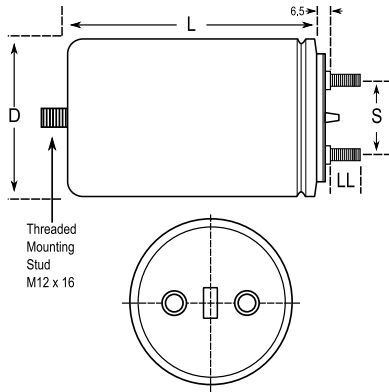


C44E, Film, Metallized Polypropylene, AC Filter, 150 uF, 5%, 380 VAC, 600 VDC



| Dimensions |               |
|------------|---------------|
| D          | 85mm +/-0.5mm |
| L          | 200mm +/-2mm  |
| S          | 35mm +/-0.5mm |
| LL         | 25mm NOM      |

| Packaging Specifications |               |
|--------------------------|---------------|
| Mounting:                | Bolt - M12x16 |
| Packaging:               | Bulk, Bag     |
| Packaging Quantity:      | 5             |

| General Information |                                      |
|---------------------|--------------------------------------|
| Series:             | C44E                                 |
| Dielectric:         | Metallized Polypropylene             |
| Style:              | Can                                  |
| Features:           | Single Phase PFC                     |
| RoHS:               | Yes                                  |
| Lead:               | Threaded Studs M10                   |
| Miscellaneous:      | Q = 6.8 kVar. Peak Voltage = 800 VDC |

| Specifications         |                           |
|------------------------|---------------------------|
| Capacitance:           | 150 uF                    |
| Capacitance Tolerance: | 5%                        |
| Voltage AC:            | 380 VAC                   |
| Voltage DC:            | 600 VDC                   |
| Temperature Range:     | -40/+70°C                 |
| Rated Temperature:     | 70°C                      |
| Max dV/dt:             | 20 V/us                   |
| Ripple Current:        | 60 Amps, 3000 Amps (Peak) |