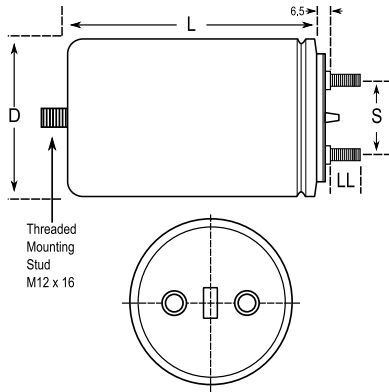


C44E, Film, Metallized Polypropylene, AC Filter, 400 uF, 5%, 250 VAC, 400 VDC



**General Information**

<b>Series:</b>	C44E
<b>Dielectric:</b>	Metallized Polypropylene
<b>Style:</b>	Can
<b>Features:</b>	Single Phase PFC
<b>RoHS:</b>	Yes
<b>Lead:</b>	Threaded Studs M10
<b>AEC-Q200:</b>	No
<b>Miscellaneous:</b>	Q = 7.85 kVar. Peak Voltage = 600 VDC.

**Dimensions**

<b>D</b>	85mm +/-0.5mm
<b>L</b>	270mm +/-2mm
<b>S</b>	35mm +/-0.5mm
<b>LL</b>	25mm NOM

**Packaging Specifications**

<b>Mounting:</b>	Bolt - M12x16
<b>Packaging:</b>	Bulk, Bag
<b>Packaging Quantity:</b>	5

**Specifications**

<b>Capacitance:</b>	400 uF
<b>Capacitance Tolerance:</b>	5%
<b>Voltage AC:</b>	250 VAC
<b>Voltage DC:</b>	400 VDC
<b>Temperature Range:</b>	-40/+70°C
<b>Rated Temperature:</b>	70°C
<b>Max dV/dt:</b>	10 V/us
<b>Ripple Current:</b>	60 Amps, 4000 Amps (Peak)

Statements of suitability for certain applications are based on our knowledge of typical operating conditions for such applications, but are not intended to constitute - and we specifically disclaim - any warranty concerning suitability for a specific customer application or use. This Information is intended for use only by customers who have the requisite experience and capability to determine the correct products for their application. Any technical advice inferred from this Information or otherwise provided by us with reference to the use of our products is given gratis, and we assume no obligation or liability for the advice given or results obtained.