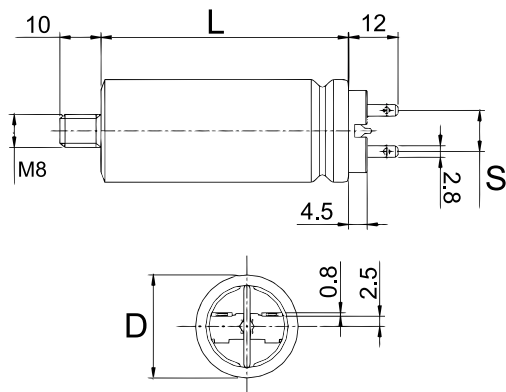


KEMET Part Number: C44BPF14150ZA0J
(C44BPF14150ZA0J)

KEMET

a YAGEO company

C44B, Film, Metallized Polypropylene, Power, 1.5 uF, 5%, 500 VAC, 1200 VDC



Dimensions

D	45mm +/-0.5mm
L	60mm +/-2mm
S	10mm +/-0.5mm

Packaging Specifications

Mounting:	Bolt - M8x10
Packaging:	Bulk, Bag

General Information

Series:	C44B
Dielectric:	Metallized Polypropylene
Style:	Can
RoHS:	Yes
Lead:	Fast On (1+1)
AEC-Q200:	No
Miscellaneous:	Peak Voltage = 1600 VDC.

Specifications

Capacitance:	1.5 uF
Capacitance Tolerance:	5%
Voltage AC:	500 VAC
Voltage DC:	1200 VDC
Temperature Range:	-40/+85°C
Rated Temperature:	70°C
Max dV/dt:	500 V/us
Resistance:	3 mOhms (TYP)
Ripple Current:	6 Amps, 750 Amps (Peak)

Statements of suitability for certain applications are based on our knowledge of typical operating conditions for such applications, but are not intended to constitute - and we specifically disclaim - any warranty concerning suitability for a specific customer application or use. This Information is intended for use only by customers who have the requisite experience and capability to determine the correct products for their application. Any technical advice inferred from this Information or otherwise provided by us with reference to the use of our products is given gratis, and we assume no obligation or liability for the advice given or results obtained.

KEMET

a YAGEO company