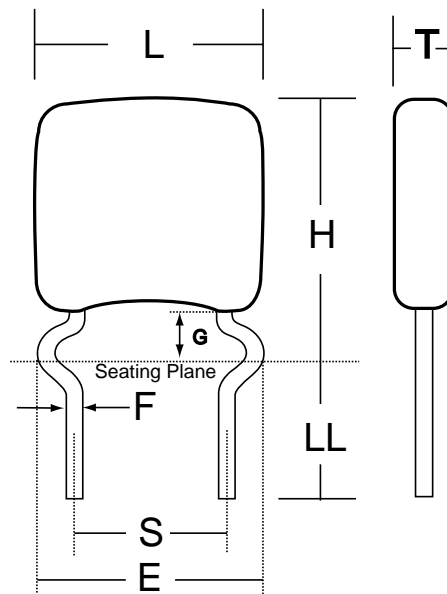


# C346C393J2G5TA

aka C346C393J2G5TA

Capacitor, ceramic, 0.039 uF, +/-5% Tol, 200V, C0G, Lead Spacing=0.2"



## Dimensions (in)

## Specifications

| ID | Dimension | Tolerance     | Manufacturer:            | KEMET            |
|----|-----------|---------------|--------------------------|------------------|
| L  | 0.4       | max           | Capacitance:             | 0.039 uF         |
| H  | 0.59      | max           | Lead Spacing:            | 0.2"             |
| T  | 0.15      | max           | Voltage:                 | 200V             |
| S  | 0.2       | +/-0.03       | Temperature Coefficient: | C0G              |
| LL | 0.23      | nom           | Tolerance:               | +/-5%            |
| F  | 0.02      | +0.004/-0.001 | Body Type:               | Radial Conformal |
| K  | 0.02      |               | Lead Type:               | Standard Leads   |
| E  | 0.32      | nom           | Termination Type:        | Tin              |
| G  | 0.031     | ref           | Package Kind:            | Bulk             |
|    |           |               | Package Type:            | Bag              |
|    |           |               | Package Quantity:        | 100              |

### Notes:

-Dimension G represents meniscus-free zone above seating plane

-Lead length shown is for parts supplied in bulk. See packaging specifications for lead lengths when not provided in bulk