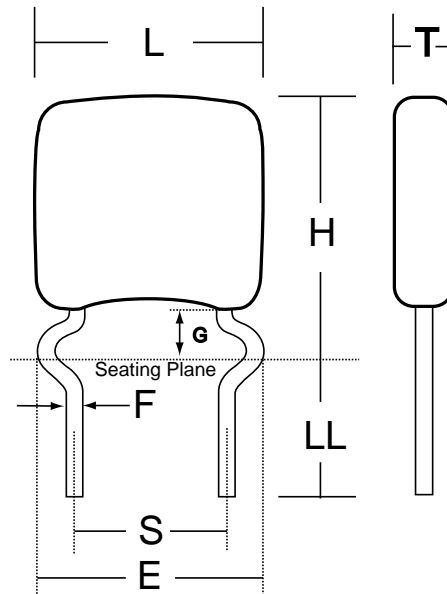


Capacitor, ceramic, 22 pF, +/-10% Tol, 200V, C0G, Lead Spacing=0.1"



**Dimensions (in)**

**Specifications**

ID	Dimension	Tolerance	Manufacturer:	KEMET
L	0.15	max	Capacitance:	22 pF
H	0.23	max	Lead Spacing:	0.1"
T	0.1	max	Voltage:	200V
S	0.1	+/-0.03	Temperature Coefficient:	C0G
LL	0.23	nom	Tolerance:	+/-10%
F	0.02	+0.004/-0.001	Body Type:	Radial Conformal
K	0.02		Lead Type:	Standard Leads
E	0.2	nom	Termination Type:	Tin
			Package Kind:	T&R
			Package Size:	12in
			Package Type:	Type 1
			Package Quantity:	2500

Notes:

-Lead length shown is for parts supplied in bulk. See packaging specifications for lead lengths when not provided in bulk