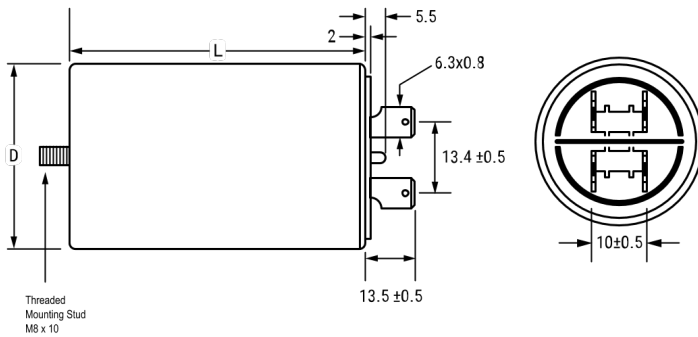


Double Faston



Click [here](#) for the 3D model.

Dimensions

| | |
|---|-------------|
| D | 50mm +1mm |
| L | 95mm +/-2mm |

Packaging Specifications

| | |
|---------------|--------------|
| Mounting | Through-Hole |
| Terminal Type | Bolt-M8x42 |
| Packaging | Bulk, Bag |

General Information

| | |
|--------------------------|---|
| Series | C27 |
| Dielectric | Film/Foil Polypropylene |
| Style | Can |
| Description | Plastic Case and Cover, Ultra Sonically Welded Seal |
| Features | Ultra Sonically Welded Seal, Safety Class P0, UL_94 V0 Disk |
| RoHS | Yes |
| Lead | Fast On (2+2) |
| Qualifications | UL, VDE, UL (Construction Only), UL_94 V0 Disk |
| AEC-Q200 | No |
| Typical Component Weight | 198 g |

Specifications

| | |
|-----------------------|-----------|
| Capacitance | 35 uF |
| Capacitance Tolerance | 5% |
| Voltage AC | 470 VAC |
| Temperature Range | -25/+85°C |
| Rated Temperature | 85°C |
| Max dV/dt | 20 V/us |