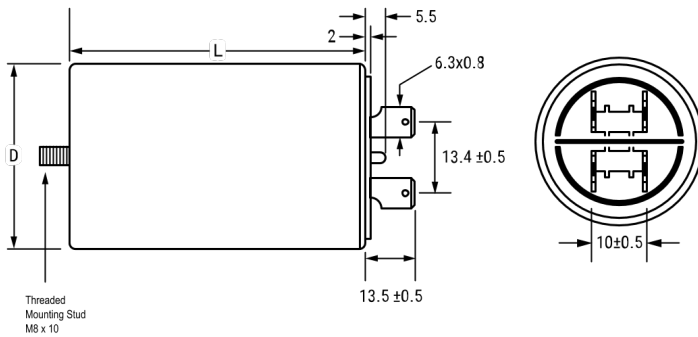


### Double Faston



Click [here](#) for the 3D model.

#### Dimensions

|   |               |
|---|---------------|
| D | 30mm +1mm     |
| L | 56.5mm +/-2mm |

#### Packaging Specifications

|               |              |
|---------------|--------------|
| Mounting      | Through-Hole |
| Terminal Type | Bolt-M8x15   |
| Packaging     | Bulk, Bag    |

#### General Information

|                          |   |
|--------------------------|---|
| Series                   | C27   |
| Dielectric               | Film/Foil Polypropylene                                     |
| Style                    | Can   |
| Description              | Plastic Case and Cover, Ultra Sonically Welded Seal         |
| Features                 | Ultra Sonically Welded Seal, Safety Class P0, UL_94 V0 Disk |
| RoHS                     | Yes   |
| Lead                     | Fast On (2+2)   |
| Qualifications           | UL, VDE, UL (Construction Only), UL_94 V0 Disk              |
| AEC-Q200                 | No  |
| Typical Component Weight | 38 g  |

#### Specifications

|                       |           |
|-----------------------|-----------|
| Capacitance           | 4 uF      |
| Capacitance Tolerance | 5%        |
| Voltage AC            | 470 VAC   |
| Temperature Range     | -25/+85°C |
| Rated Temperature     | 85°C      |
| Max dV/dt             | 20 V/us   |