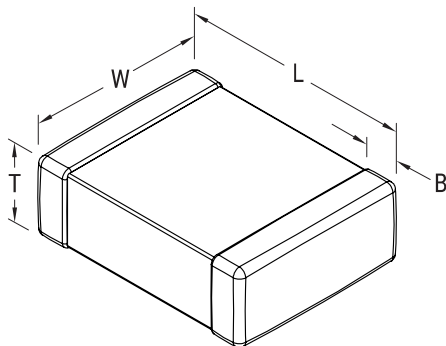


**KEMET Part Number: C2220C226K3RACTU**  
(C2220C226K3RAC7800)

SMD Comm X7R, Ceramic, 22 uF, 10%, 25 V, X7R, SMD, MLCC, Temperature Stable, Class II, 2220



Dimensions	
L	5.7mm +/-0.4mm
W	5mm +/-0.4mm
T	2.4mm +/-0.15mm
B	0.6mm +/-0.35mm

Packaging Specifications	
Packaging:	T&R, 180mm, Plastic Tape
Packaging Quantity:	500

General Information	
Supplier:	KEMET
Series:	SMD Comm X7R
Style:	SMD Chip
Description:	SMD, MLCC, Temperature Stable, Class II
Features:	Temperature Stable, Class II
RoHS:	Yes
Termination:	Tin
Marking:	No
Failure Rate:	N/A
Miscellaneous:	Note: Referee time for X7R dielectric for this part number is 1000 hours
Chip Size:	2220
Shelf Life:	78 Weeks
MSL:	1

Specifications	
Capacitance:	22 uF
Capacitance Tolerance:	10%
Voltage DC:	25 VDC
Dielectric Withstanding Voltage:	62.5 V
Temperature Range:	-55/+125C
Temperature Coefficient:	X7R
Dissipation Factor:	3.5000000000000004% 120Hz 25C
Aging Rate:	3% Loss/Decade Hour
Insulation Resistance:	23 MOhms