



PRODUCT DATASHEET

Barbara series

last update 4/3/2015

DETAILS

Product Number	C14658_BARBARA-RZ-LENS
Family	Barbara
Type	Sublens
Color	clear
Diameter	26,5 mm
Height	8,4 mm
Style	round
Optic Material	PC
Holder Material	
Fastening	
Status	ready
ROHS Compliant	Yes
Date Updated	4/03/2015



OPTICAL PROPERTIES

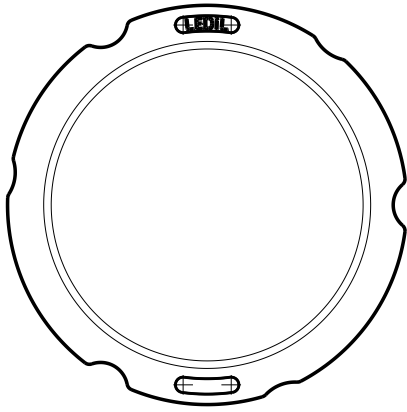
LED	Viewing Angle	Light Beam	Efficiency	cd/lm	Connector
Unknown	N/A deg		-	sim: 0.000	-

D

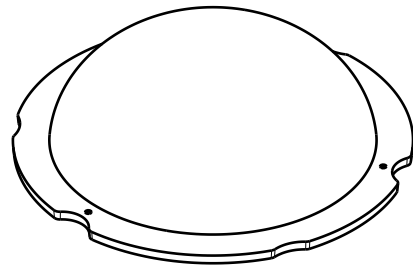
C

B

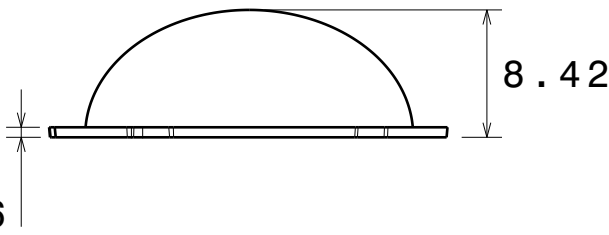
A



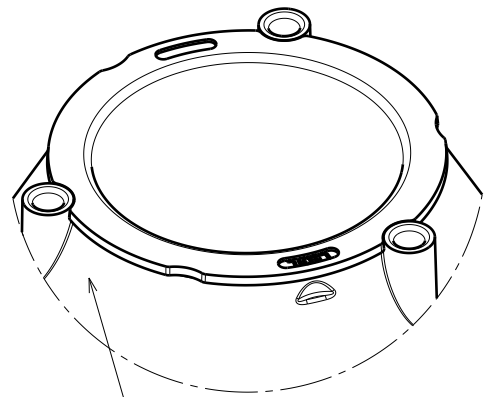
Bottom view



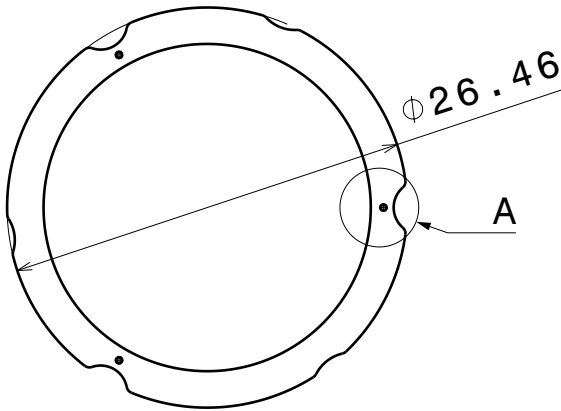
Isometric view



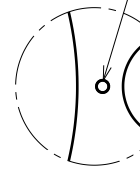
Front view



Dots to be aligned with reflector's press-fit feet



Top view



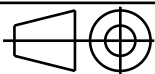
Detail A

Tolerances if not otherwise shown
 According to DIN ISO 2768-1
 Linear measures:
 up to 30mm class M, otherwise class C
 According to DIN ISO 2768-2
 Form and position: class L



Ledil Oy
 Salorankatu 10
 FIN 24240 SALO
 Finland

THIRD ANGLE PROJECTION:



DRAWING TITLE

Datasheet BARBARA-RZ-LENS

This drawing is the property
 of LEDiL Oy. It may not be
 reproduced, copied or
 communicated without a written
 agreement with LEDiL Oy.

SIZE	PART NUMBER
------	-------------

A4

SCALE	2:1	WEIGHT	-
-------	-----	--------	---

SHEET	1/1
-------	-----

D

A

4

4

3

3

2

2

1

1

NOTE: The typical divergence will be changed by different color, chip size and chip position tolerance. The typical total divergence is the full angle measured where the luminous intensity is half of the peak value.