

CHARACTERISTICS		
NUMBER OF CONTACTS	INSERT	24 + PE
TERMINATION	INSERT	SCREW
WIRE GAUGE	INSERT	0.25-2.5mm ²
FLAMMABILITY	INSERT	V-0
CABLE ENTRY	HOOD	SIDE
IP DEGREE OF PROTECTION	HOOD	IP65
VERSION	HOOD	HIGH PROFILE
PROTECTIVE COVER	HOOD	PA
THREAD	HOOD AND GLAND BUSHING	M40
CABLE RANGE	GLAND BUSHING	23-32mm

ELECTRICAL CHARACTERISTICS (INSERT)		
RATED VOLTAGE	DIN EN 60664-1	500V (600V UL/CSA)
RATED IMPULSE VOLTAGE	DIN EN 60664-1	6000V
RATED CURRENT AT 40°C		18A
VOLTAGE PROOF	DIN EN 60512-2, TEST 4a	2.800V
INSTALLATION CATEGORY	DIN EN 60664-1	III
INSULATION GROUP	DIN EN 60664-1	IIIb
INSULATION RESISTANCE	DIN EN 60512-2, TEST 3a	>10 ¹² OHMS
CONTACT RESISTANCE	DIN EN 60512-2, TEST 2a	<5m OHMS
CLEARANCE	DIN VDE 0627	>4.0mm
CREEPAGE	DIN VDE 0627	>6.3mm
CURRENT CARRYING CAP.	DIN EN 60512-3, TEST 5b	DERATED
POLLUTION DEGREE	DIN EN 60664-1	3

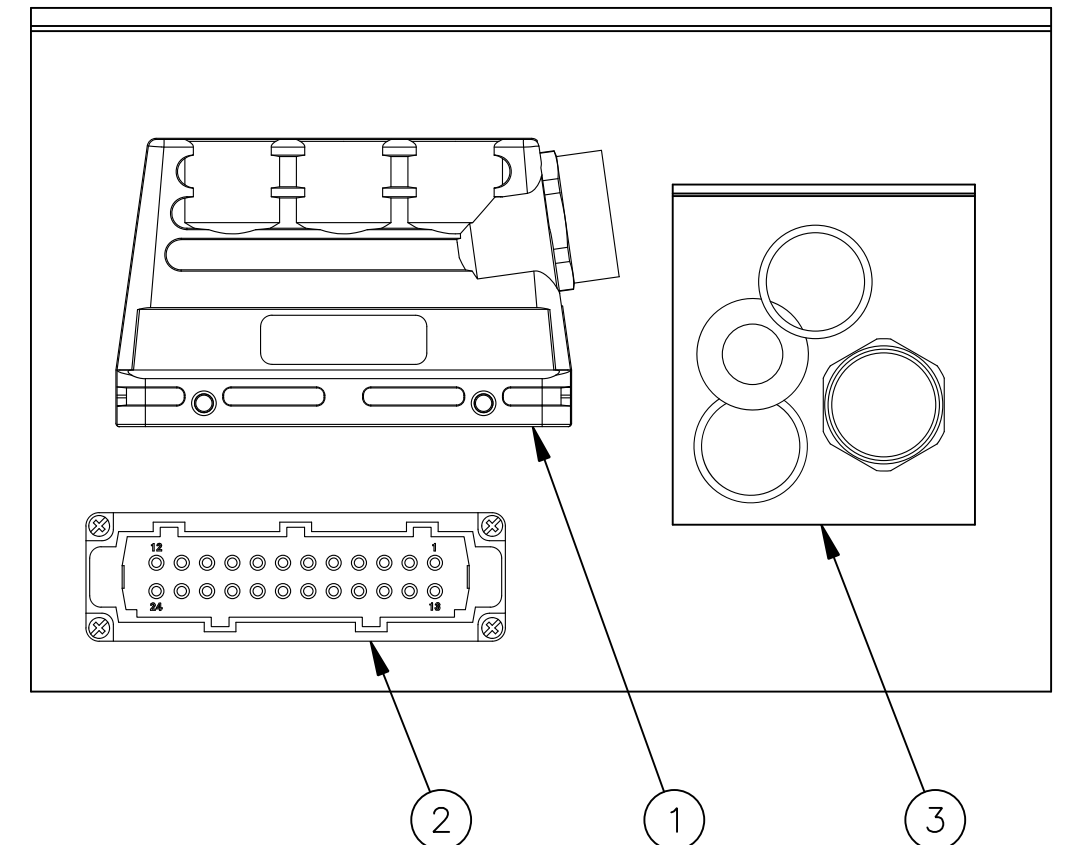
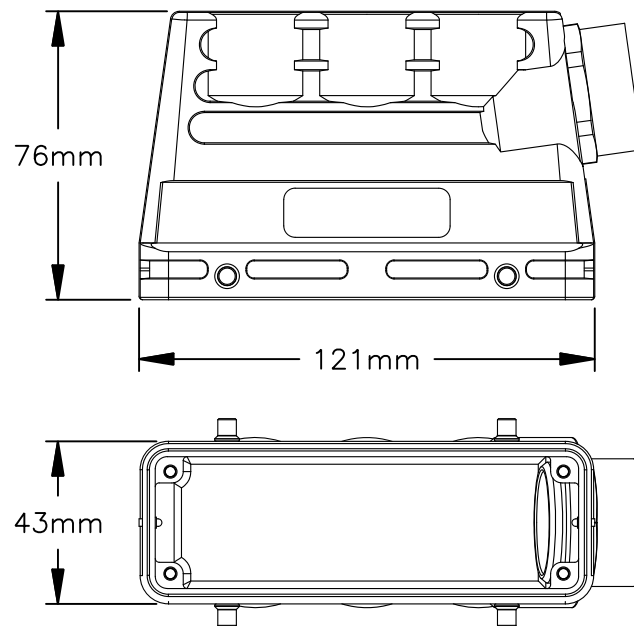
MECHANICAL CHARACTERISTICS		
INSERTION FORCE	DIN EN 60512-13-2, TEST 13b	100-120N
WITHDRAWAL FORCE	DIN EN 60512-13-2, TEST 13b	100-120N
MECHANICAL LIFETIME	IEC 60512-5, TEST 9a	>500 MATING CYCLES

CLIMATICAL CHARACTERISTICS		
TEMPERATURE RANGE		-40°C TO 100°C
UPPER TEMPERATURE		100°C/1000H
LOWER TEMPERATURE		-40°C/16H

MATERIALS		
INSERT		PC GV
COLOR		GRAY
CONTACT PLATING		SILVER
KNURLED SCREW AND NUT		CuZn
GASKET		NBR

REVISIONS					
REV	ECD	DESCRIPTION	DATE	BY	APPR
01	-	CUSTOMER DRAWING	-	-	-

ILLUSTRATION: COMPLETE KIT



QUANTITY	PART NUMBER	DESCRIPTION	ITEM
1	VN164000114X	GLAND BUSHING, M40	3
1	C14610A0241021	INSERT, MALE, 24POS	2
1	C14610R0245018	HOOD, DUAL, SIDE, HIGH, M40	1

MATERIALS LIST			
UNLESS OTHERWISE SPECIFIED		SIGNATURES	DATE
1) All dimensions are in metric (mm). 2) Tolerances are as follows: 1 PL DEC ±0.30 2 PL DEC ±0.15 3 PL DEC ±0.08		MRF	11OCT13
3) Note reference =		CHECKED:	
MATERIAL SPECIFICATIONS:		ENGINEER:	
PROCESS SPECIFICATIONS:		APPROVAL:	
NEXT ASSY:		CUSTOMER:	
THIS DRAWING IS SUPPLIED FOR INFORMATION ONLY. DESIGN FEATURES, SPECIFICATIONS AND PERFORMANCE DATA SHOWN HEREON ARE THE PROPERTY OF THE AMPHENOL CORPORATION. NO RIGHTS OF REPRODUCTION ARE IMPLIED. ALL DIMENSIONS ARE SUBJECT TO NORMAL MANUFACTURING VARIATIONS.		<p style="text-align: center;">Amphenol</p> <p style="text-align: center;">Sine Systems - www.amphenol-sine.com 44724 Morley Drive Clinton Township, MI 48036</p> <p style="text-align: center;">KIT, HEAVYMATE</p>	
SIZE	TYPE	DWG NO.	REVISION
B	C-	C14610E0249518M	01
SCALE:	NONE	SHEET	1 OF 1

C146 10E 024 9518M

TITLE: KIT, HEAVYMATE
DWG NO: C14610E0249518M
REV: 01
SH: 1
DF: 1