



PRODUCT DATASHEET

Florence series

last update 23/3/2015

DETAILS

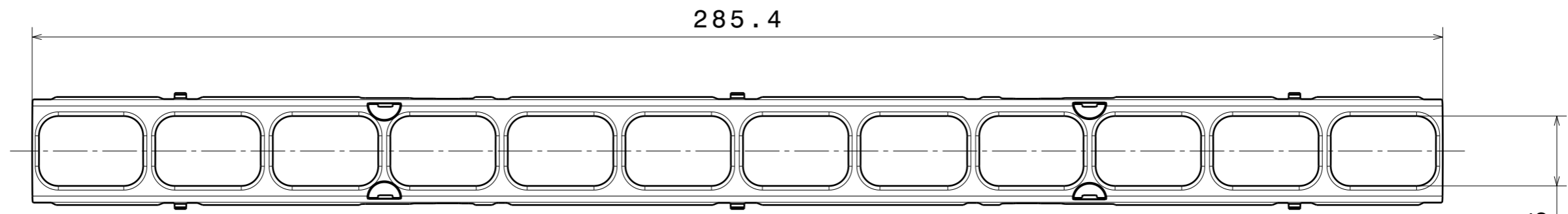
Product Number	C14593_FLORENCE-1R-SHD-BLK
Family	Florence
Type	Accessory
Color	black
Diameter	285,9x23,51 mm
Height	9,9 mm
Style	rectang
Optic Material	
Holder Material	ABS
Fastening	
Status	ready
ROHS Compliant	Yes
Date Updated	23/03/2015



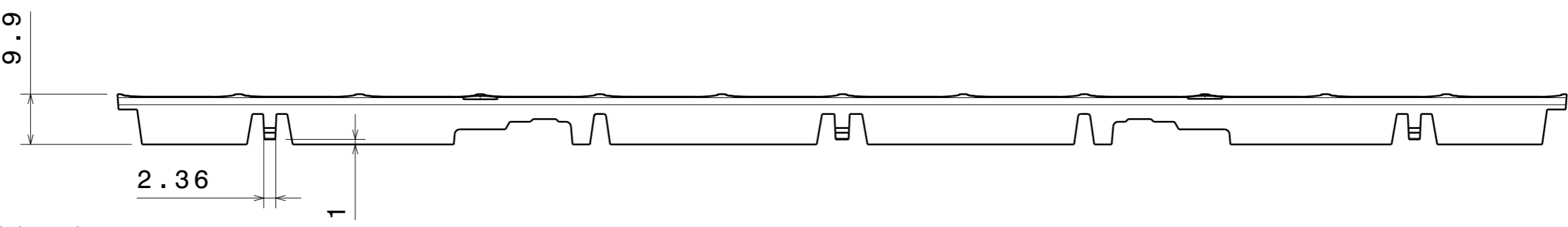
OPTICAL PROPERTIES

LED	Viewing Angle	Light Beam	Efficiency	cd/lm	Connector
Unknown	N/A deg		-	sim: 0.000	-

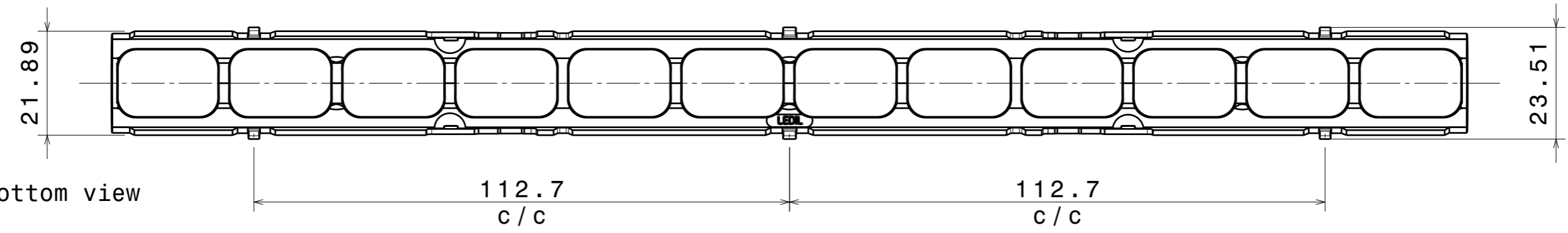
H G F E D C B A



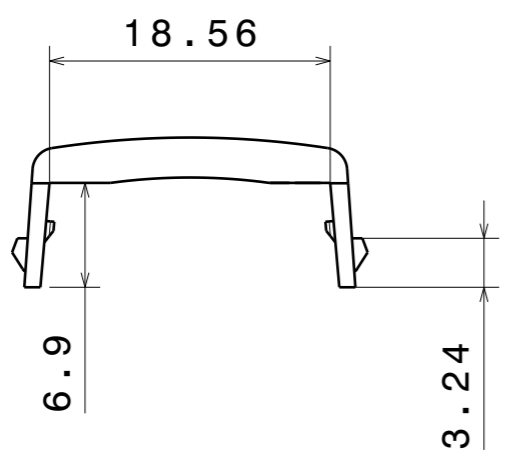
Top view



Side view



Bottom view



Front view

INDEX	PART NO	DESCRIPTION	MATERIAL	COLOUR
1	C14593	FLORENCE-1R-SHD-BLK	ABS	black

Tolerances if not otherwise shown
 According to DIN ISO 2768-1
 Linear measures:
 Up to 30mm class M, otherwise class C.
 According to DIN ISO 2768-2
 Form and position: class L

LEDiL LediL Oy
 Salorankatu 10
 FIN 24240 SALO
 Finland

THIRD ANGLE PROJECTION:

DRAWING TITLE
C14593_FLORENCE-1R-SHD

This drawing is the property of LEDiL Oy. It may not be reproduced, copied or communicated without a written agreement with LEDiL Oy.

SIZE	PART NUMBER
A3	C14593

SCALE	1:1	WEIGHT	8,97 g	SHEET	1/1
-------	-----	--------	--------	-------	-----

H G B A

NOTE: The typical divergence will be changed by different color, chip size and chip position tolerance. The typical total divergence is the full angle measured where the luminous intensity is half of the peak value.