



# PRODUCT DATASHEET

## ANGELA series

last update 22/9/2014

### DETAILS

<b>Product Number</b>	C14036_CLAMP-CXA25-30
<b>Family</b>	ANGELA
<b>Type</b>	Base part
<b>Color</b>	white
<b>Diameter</b>	50 mm
<b>Height</b>	9,25 mm
<b>Style</b>	round
<b>Optic Material</b>	
<b>Holder Material</b>	
<b>Fastening</b>	screw
<b>Status</b>	ready
<b>ROHS Compliant</b>	Yes
<b>Date Updated</b>	22/09/2014



### OPTICAL PROPERTIES

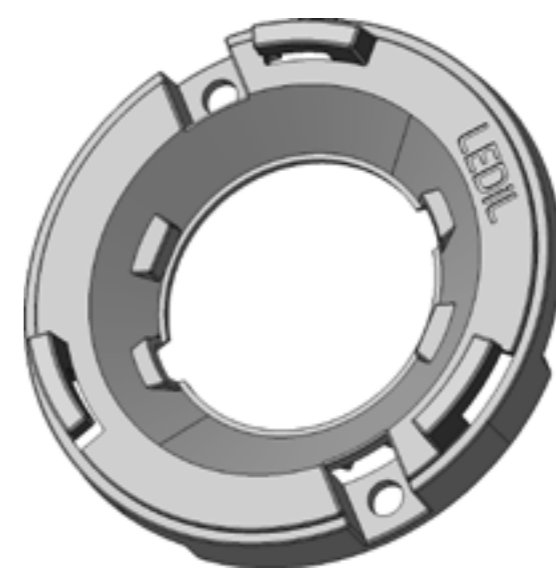
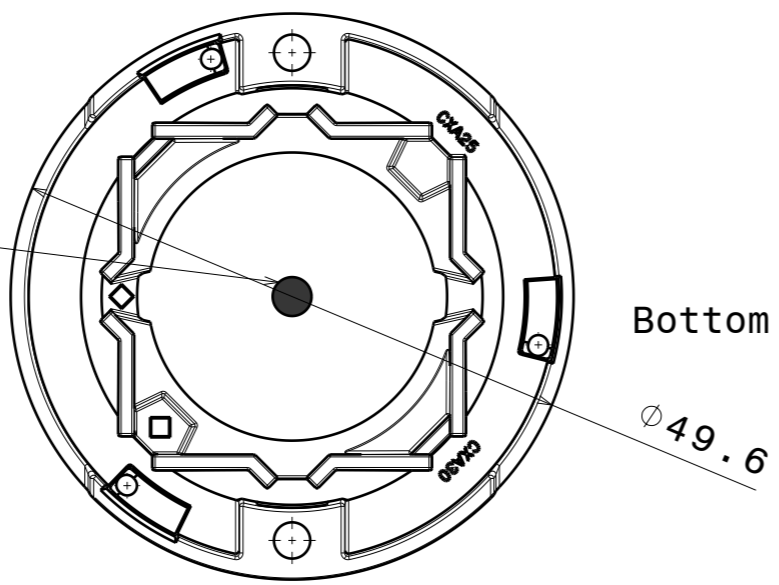
LED	Viewing Angle	Light Beam	Efficiency	cd/lm	Connector
CXA/B 25xx	N/A deg		-	sim: 0.000	-
CXA/B 30xx	N/A deg		-	sim: 0.000	-

H G F E D C B A

4

4

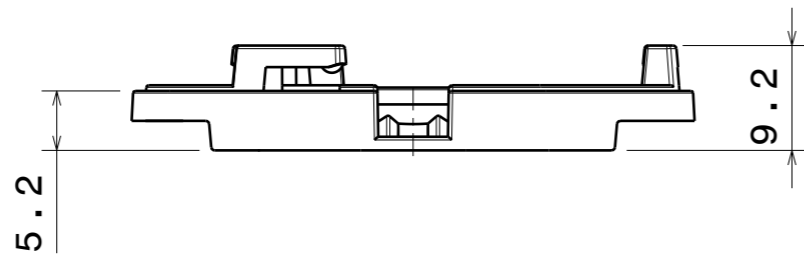
Led middle position  
CXA25 and CXA30



3

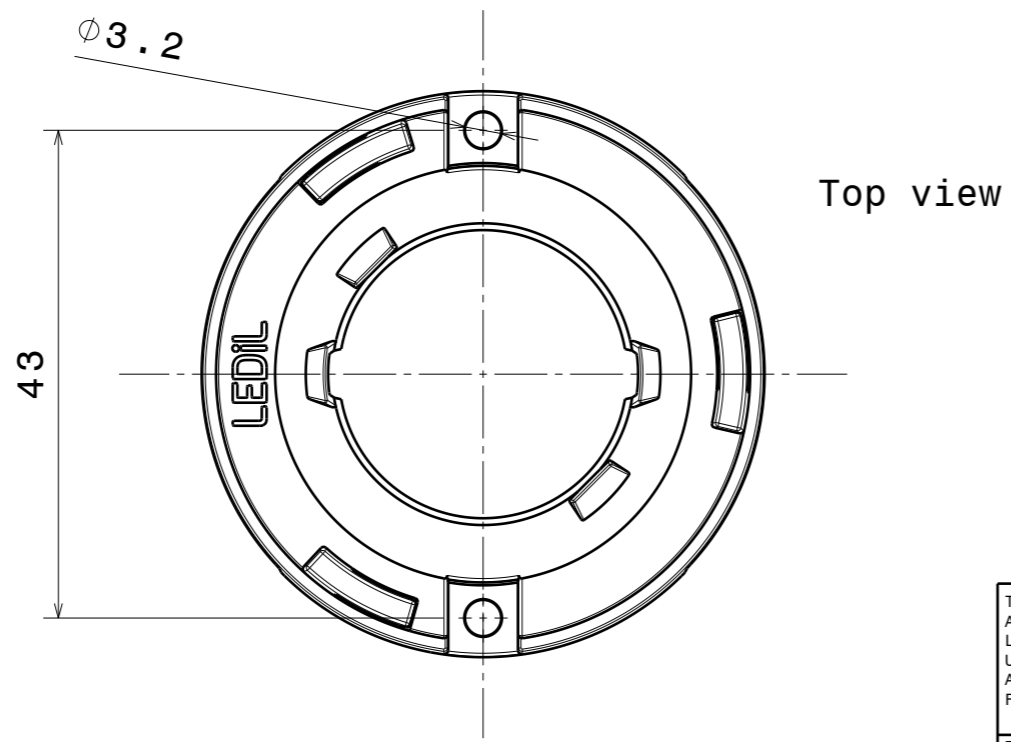
3

Front view



2

2



1

1

INDEX	PART NO	DESCRIPTION	MATERIAL	COLOUR
1	C14036	CLAMP-CXA25-30	PC	White

Tolerances if not otherwise shown  
According to DIN ISO 2768-1  
Linear measures:  
Up to 30mm class M, otherwise class C.  
According to DIN ISO 2768-2  
Form and position: class L

**LEDiL** LediL Oy  
Salorankatu 10  
FIN 24240 SALO  
Finland

THIRD ANGLE PROJECTION:

DRAWING TITLE  
**MechanicalDrawing\_CLAMP-CXA25-30**

This drawing is the property  
of LEDiL Oy. It may not be  
reproduced, copied or  
communicated without a written  
agreement with LEDiL Oy."

SIZE	PART NUMBER
<b>A3</b>	<b>C14036</b>

SCALE	3:2	WEIGHT	(g)	SHEET	1/1
-------	-----	--------	-----	-------	-----

H G F E D C B A

**NOTE: The typical divergence will be changed by different color, chip size and chip position tolerance. The typical total divergence is the full angle measured where the luminous intensity is half of the peak value.**

### **GENERAL INFORMATION**

- Product series especially designed & optimized for series of LEDs.
- Special care taken to make light distribution as uniform as possible.

Note! Due to use of high power COB's with this product, special attention to proper thermal design is highly recommended. LEDiL has no liability for direct, indirect or consecutive damages arising from the LEDiL products being used outside of the recommended temperature range.