



PRODUCT DATASHEET

Mirella series

last update 18/7/2014

DETAILS

Product Number	C13761_PF-SOCKET-CXA15
Family	Mirella
Type	Base part
Color	white
Diameter	38 mm
Height	2,33 mm
Style	round
Optic Material	
Holder Material	PC
Fastening	screw, glue
Status	ready
ROHS Compliant	Yes
Date Updated	18/07/2014



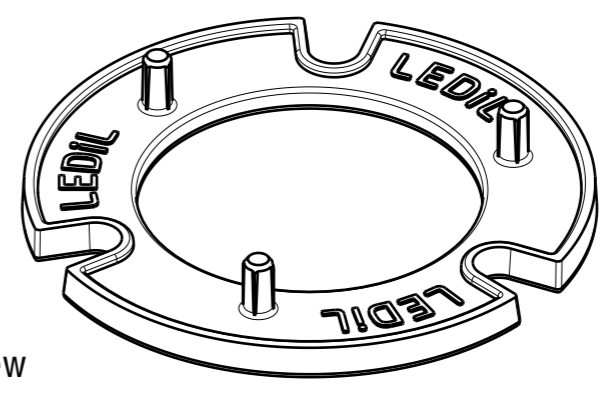
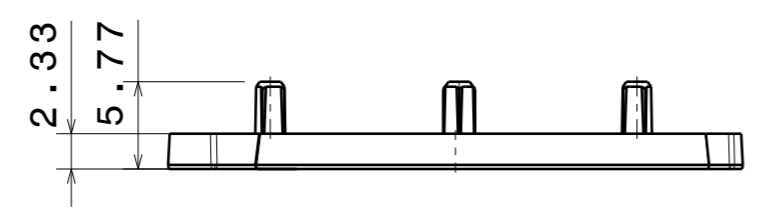
OPTICAL PROPERTIES

LED	Viewing Angle	Light Beam	Efficiency	cd/lm	Connector
CXA/B 15xx	N/A deg		-	sim: 0.000	-

H G F E D C B A

4

Bottom view

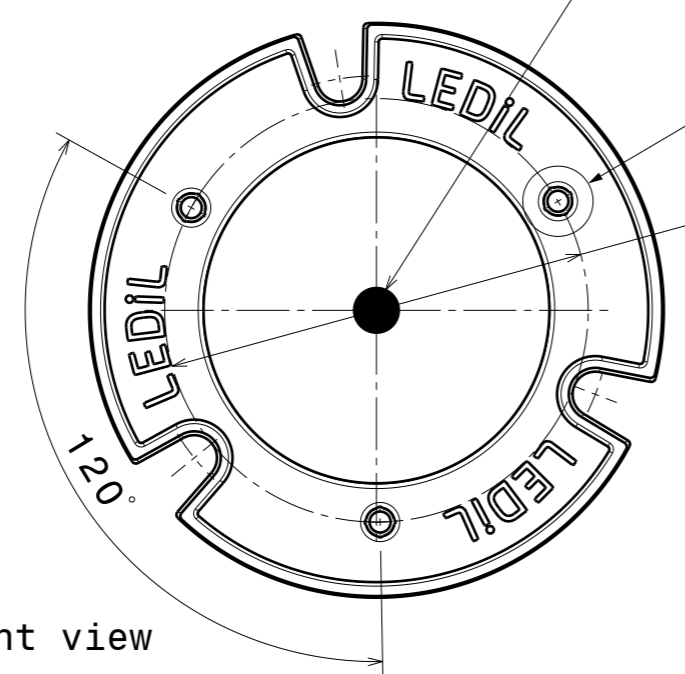


Isometric view

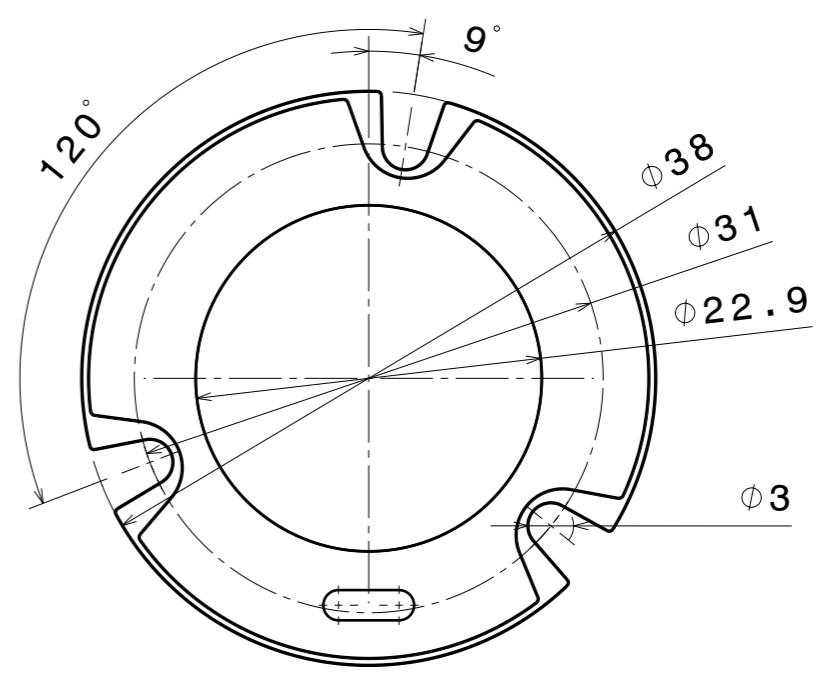
4

3

LED position



Front view



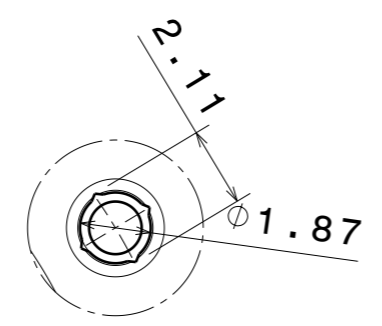
Rear view

3

2

2

Detail A
Scale: 5:1



INDEX	PART NO	DESCRIPTION	MATERIAL	COLOUR
1	C13761	PF-SOCKET-CXA15	PC	white

Tolerances if not otherwise shown
According to DIN ISO 2768-1
Linear measures: class C
According to DIN ISO 2768-2
Form and position: class L

LEDiL LediL Oy
Salorankatu 10
FIN 24240 SALO
Finland

THIRD ANGLE PROJECTION:

DRAWING TITLE
C13761_PF-SOCKET-CXA15

This drawing is the property of LEDiL Oy. It may not be reproduced, copied or communicated without a written agreement with LEDiL Oy.

SIZE	PART NUMBER
A3	C13761

SCALE	WEIGHT	SHEET
2:1	1,37 g	1/1

H G B A

1

NOTE: The typical divergence will be changed by different color, chip size and chip position tolerance. The typical total divergence is the full angle measured where the luminous intensity is half of the peak value.

GENERAL INFORMATION

- Product series especially designed & optimized for series of LEDs.
- Special care taken to make light distribution as uniform as possible.

Note! Due to use of high power COB's with this product, special attention to proper thermal design is highly recommended. LEDiL has no liability for direct, indirect or consecutive damages arising from the LEDiL products being used outside of the recommended temperature range.