

DETAILS

Product Number	C13140_STRADA-T-6X1-DWC
Family	Strada-Module
Type	Lens array
Color	clear
Diameter	119,8 + 25,2 mm
Height	5,6 mm
Style	rectang
Optic Material	PMMA
Holder Material	
Fastening	screw, pin, glue
Status	ready
ROHS Compliant	Yes
Date Updated	25/07/2013

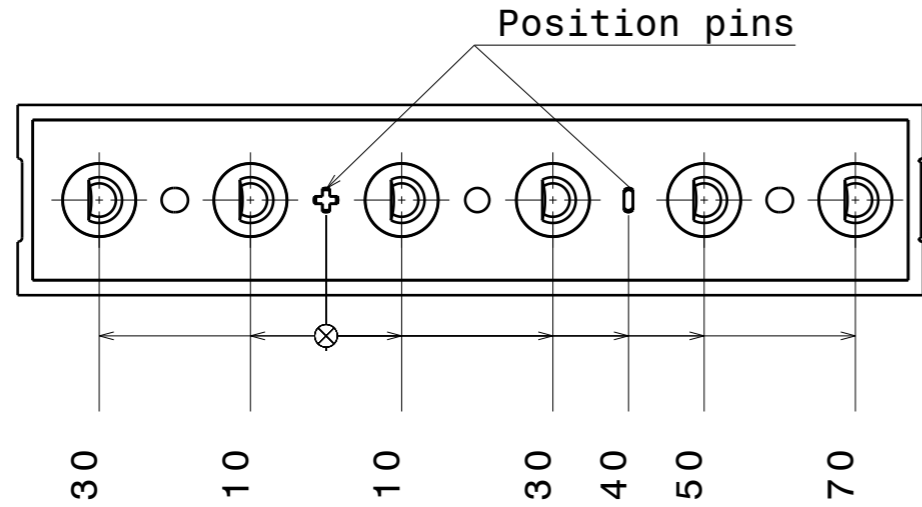


OPTICAL PROPERTIES

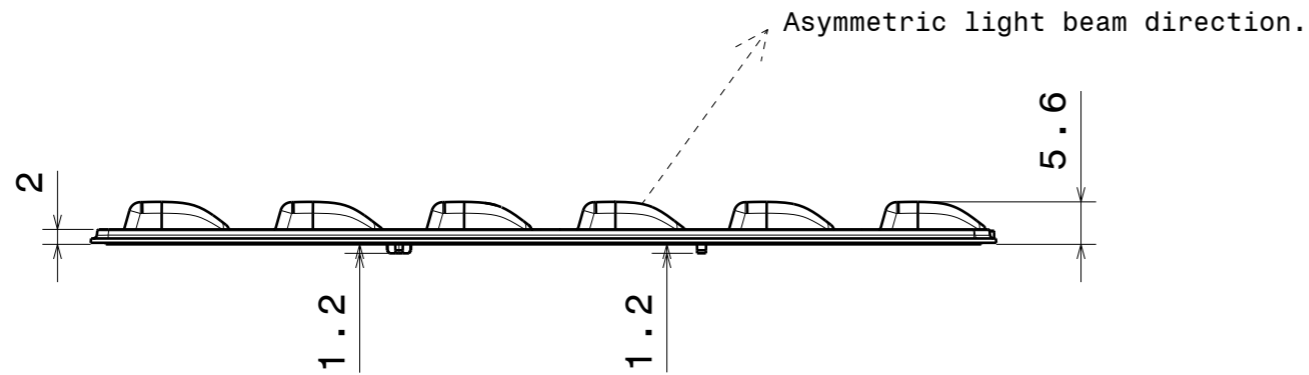
LED	Viewing Angle	Light Beam	Efficiency	cd/lm	Connector
Oslon Square PC	Asymmetric deg	Asymmetric	96 %	0.600	-

INDEX	PART NO	DESCRIPTION	MATERIAL
1	C13140	STRADA-T-6X1-DWC	PMMA 8N

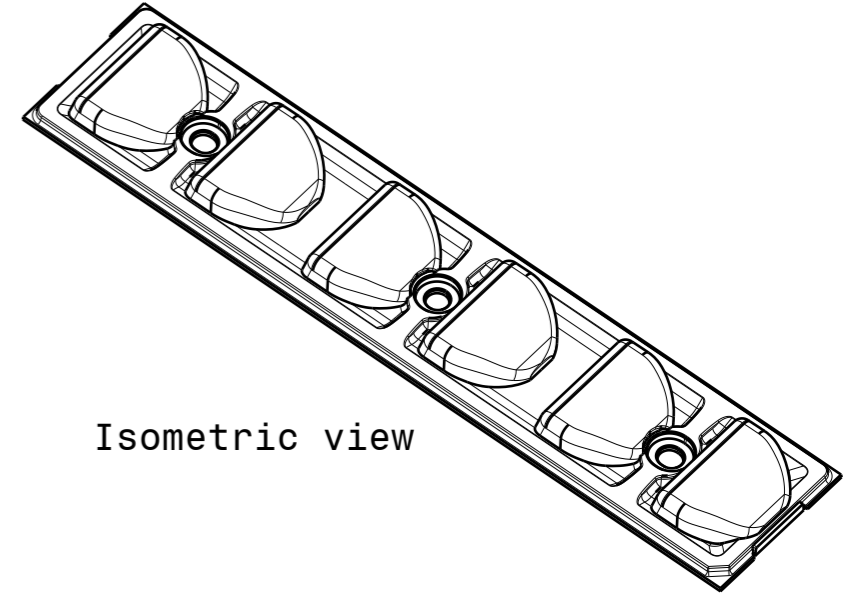
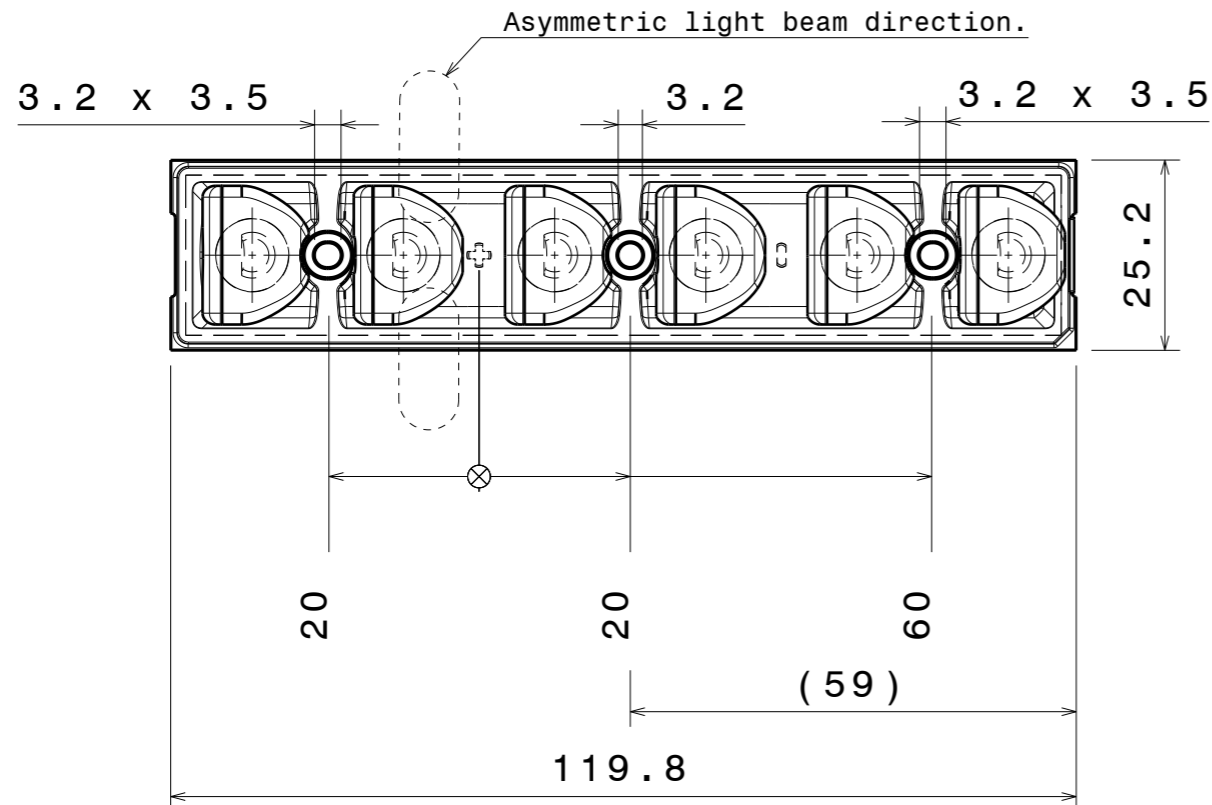
Bottom view



Front view




Top view



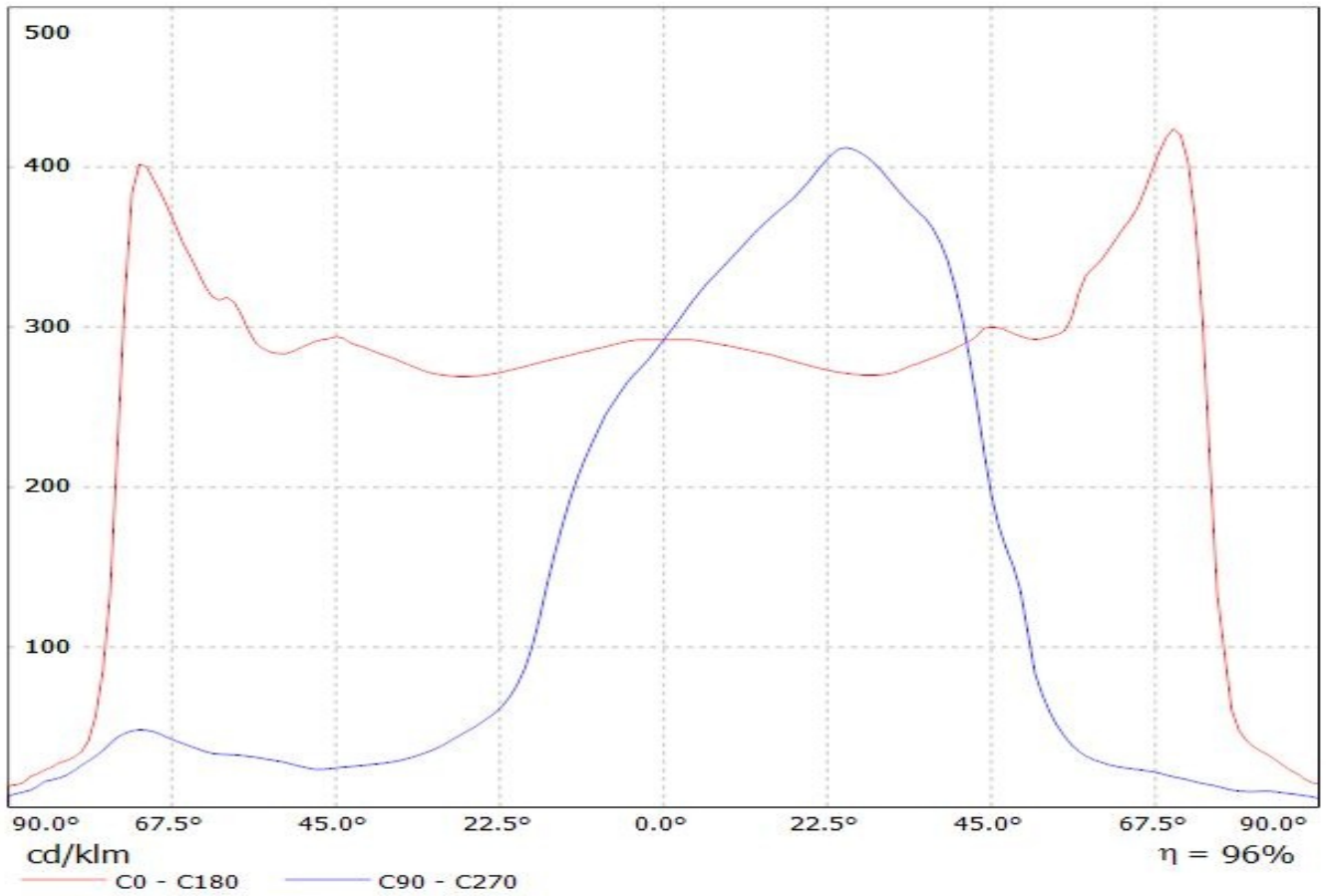
Isometric view

Tolerances if not otherwise shown:
According to DIN ISO 2768-1
Linear measures:
Up to 30mm class M, otherwise class C.

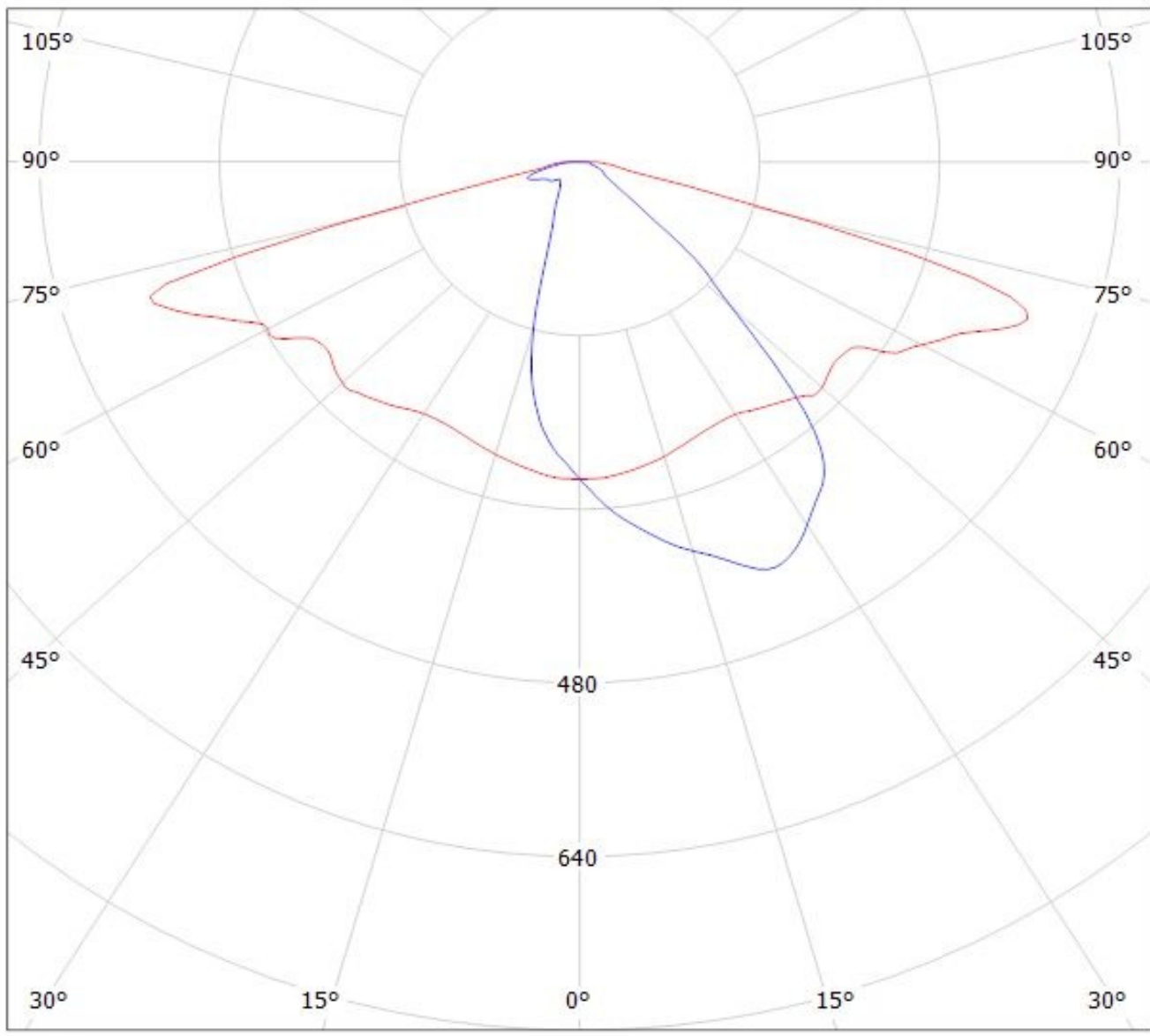
According to DIN ISO 2768-2
Form and position:
class L

This drawing is our property. It can't be reproduced or communicated without our written agreement.		 Ledil Oy Salorankatu 10 FIN 24240 SALO Finland	
DRAWN BY mav		DATE 2.10.2012	
CHECKED BY -		DATE -	
DESIGNED BY -		DATE -	
DRAWING TITLE C13140 STRADA-T-6X1-DWC mechanical		Part Drawing	
SIZE A3	PART NUMBER C13140	REV 001	
SCALE 1:1	WEIGHT 9,89 g	SHEET 1/1	

Luminaire: LEDiL Oy C13140_STRADA-T-6X1-DWC_(SQ-PC) Eff.95.8%
Lamps: 1 x Osram Square PC (586.106lm@250mA)



Luminaire: LEDiL Oy C13140_STRADA-T-6X1-DWC_(SQ-PC) Eff.95.8%
Lamps: 1 x Osram Square PC (586.106lm@250mA)



cd/klm

— C0 - C180 — C90 - C270

$\eta = 96\%$

NOTE: The typical divergence will be changed by different color, chip size and chip position tolerance. The typical total divergence is the full angle measured where the luminous intensity is half of the peak value.