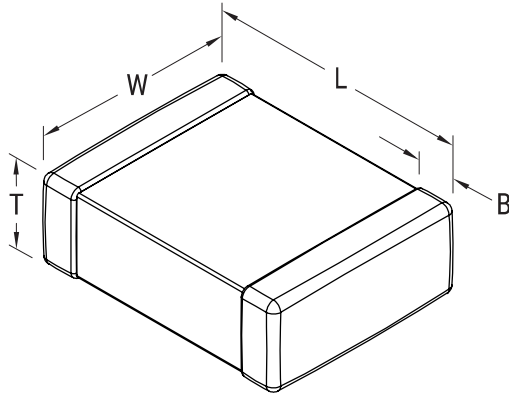


SMD Auto X7R Flex, Ceramic, 4.7 uF, 10%, 16 VDC, X7R, SMD, MLCC, FT-CAP, Automotive Grade, 1210



Dimensions

Chip Size		1210
L		3.3mm +/-0.4mm
W		2.6mm +/-0.3mm
T		0.9mm +/-0.20mm
B		0.6mm +/-0.25mm

Packaging Specifications

Packaging:	T&R, 180mm, Plastic Tape
Packaging Quantity:	4000

General Information

Series:	SMD Auto X7R Flex
Style:	SMD Chip
Description:	SMD, MLCC, FT-CAP, Automotive Grade
Features:	FT-CAP, Automotive Grade
RoHS:	Yes
Termination:	Flexible Termination
Marking:	No
Qualifications:	AEC-Q200
AEC-Q200:	Yes
Shelf Life:	78 Weeks
MSL:	1

Specifications

Capacitance:	4.7 uF
Measurement Condition:	1 kHz 1.0Vrms
Capacitance Tolerance:	10%
Voltage DC:	16 VDC
Dielectric Withstanding Voltage:	40 VDC
Temperature Range:	-55/+125°C
Temperature Coefficient:	X7R
Capacitance Change with Reference to +25°C and 0 VDC Applied (TCC):	15%, 1kHz 1.0Vrms
Dissipation Factor:	3.5% 1 kHz 1.0Vrms
Aging Rate:	3% Loss/Decade Hour: Referee Time is 1000 Hours
Insulation Resistance:	106 MOhms