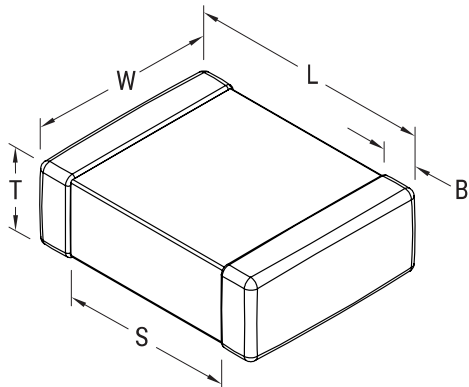


SMD Auto X7R VW80808, Ceramic, 0.1 uF, 10%, 50 VDC, X7R, SMD, MLCC, Automotive Grade, 1206



General Information

Series:	SMD Auto X7R VW80808
Style:	SMD Chip
Description:	SMD, MLCC, Automotive Grade
Features:	VW 80808 Specification Compliant
RoHS:	Yes
Termination:	Flexible Termination
Failure Rate:	N/A
Qualifications:	AEC-Q200
AEC-Q200:	Yes
Shelf Life:	152 Weeks

Dimensions

Chip Size	1206
L	3.3mm +/-0.4mm
W	1.6mm +/-0.35mm
T	0.78mm +/-0.20mm
B	0.6mm +/-0.25mm

Packaging Specifications

Packaging:	T&R, 180mm, Plastic Tape
Packaging Quantity:	4000

Specifications

Capacitance:	0.1 uF
Capacitance Tolerance:	10%
Voltage DC:	50 VDC
Dielectric Withstanding Voltage:	125 VDC
Temperature Range:	-55/+125°C
Temperature Coefficient:	X7R
Dissipation Factor:	2.5% 120 Hz 25C
Insulation Resistance:	100 GOhms

Statements of suitability for certain applications are based on our knowledge of typical operating conditions for such applications, but are not intended to constitute - and we specifically disclaim - any warranty concerning suitability for a specific customer application or use. This Information is intended for use only by customers who have the requisite experience and capability to determine the correct products for their application. Any technical advice inferred from this Information or otherwise provided by us with reference to the use of our products is given gratis, and we assume no obligation or liability for the advice given or results obtained.