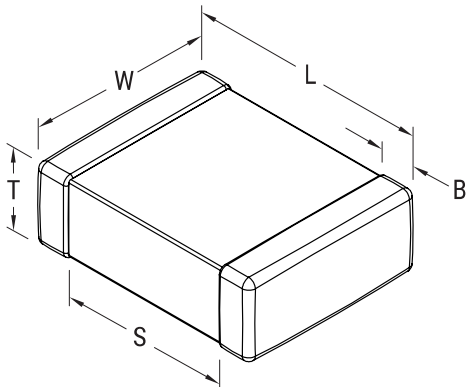


**KEMET Part Number: C0805C270GDGACTU**  
(C0805C270GDGAC7800)

SMD Comm COG HV, Ceramic, 27 pF, 2%, 1000 VDC, COG, SMD, MLCC, Ultra-Stable, Low Loss, Class I, 0805



**Dimensions**

Chip Size	0805
L	2mm +/-0.2mm
W	1.25mm +/-0.2mm
T	1.25mm +/-0.15mm
S	0.75mm MIN
B	0.5mm +/-0.25mm

**Packaging Specifications**

<b>Packaging:</b>	T&R, 180mm, Plastic Tape
<b>Packaging Quantity:</b>	2500

**General Information**

<b>Series:</b>	SMD Comm COG HV
<b>Style:</b>	SMD Chip
<b>Description:</b>	SMD, MLCC, Ultra-Stable, Low Loss, Class I
<b>Features:</b>	Ultra-Stable, Low Loss, Class I
<b>RoHS:</b>	Yes
<b>Termination:</b>	Tin
<b>Marking:</b>	No
<b>AEC-Q200:</b>	No
<b>Shelf Life:</b>	78 Weeks
<b>MSL:</b>	1

**Specifications**

<b>Capacitance:</b>	27 pF
<b>Measurement Condition:</b>	1 MHz 1.0Vrms
<b>Capacitance Tolerance:</b>	2%
<b>Voltage DC:</b>	1000 VDC
<b>Dielectric Withstanding Voltage:</b>	1200 VDC
<b>Temperature Range:</b>	-55/+125°C
<b>Temperature Coefficient:</b>	COG
<b>Capacitance Change with Reference to +25°C and 0 VDC Applied (TCC):</b>	30 ppm/C, 1MegaHz 1.0Vrms
<b>Dissipation Factor:</b>	0.1% 1 MHz 1.0Vrms
<b>Aging Rate:</b>	0% Loss/Decade Hour
<b>Insulation Resistance:</b>	100 GOhms