



C 2228

CARB toroidal roller bearing

CARB toroidal roller bearings are unique: as well as accommodating misalignment without increased stress levels, they also provide frictionless axial movement within the bearing in the non-locating position in self-aligning bearing arrangements. Being SKF Explorer bearings, they can accommodate higher load levels and provide significantly extended service life.

- Accommodate misalignment and axial displacement within the bearing
- High radial load carrying capacity
- Provide frictionless axial movement
- Long bearing system life
- Reduce noise and vibration levels

Overview

Dimensions

Bore diameter	5.512 in
Outside diameter	9.843 in
Width	2.677 in

Performance

Basic dynamic load rating	186 591 lbf
Basic static load rating	238 297 lbf
Limiting speed	3 200 r/min
Reference speed	2 400 r/min
SKF performance class	SKF Explorer

Properties

Bore type	Cylindrical
Cage	Sheet metal
Locating feature, bearing outer ring	Without
Lubricant	None
Number of rows	1
Radial internal clearance	CN
Relubrication feature	Without
Sealing	Without

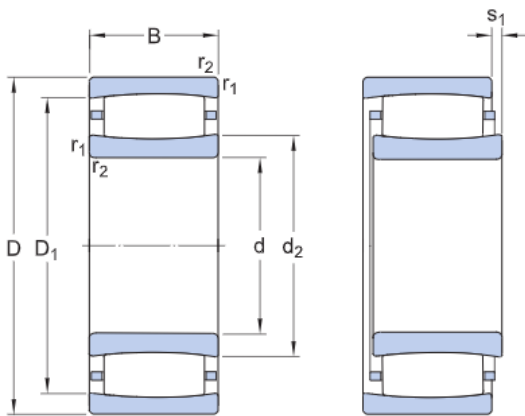
Technical Specification

SKF performance class

SKF Explorer

Bore type

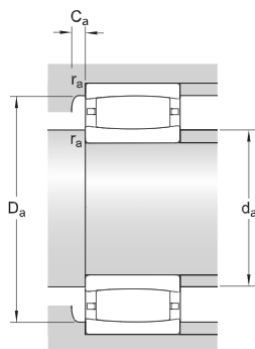
Cylindrical



Dimensions

d	5.512 in	Bore diameter
D	9.843 in	Outside diameter
B	2.677 in	Width
d ₂	≈ 6.811 in	Shoulder diameter of inner ring
D ₁	≈ 8.78 in	Shoulder or recess diameter of outer ring
s ₁	max. 0.5394 in	Permissible axial displacement
r _{1,2}	min. 0.118 in	Chamfer dimension

Abutment dimensions



d _a	min. 6.063 in	Diameter of shaft abutment
d _a	max. 7.52 in	Diameter of shaft abutment
D _ε	min. 8.15 in	Diameter of housing abutment
D _ε	max. 9.291 in	Abutment diameter housing
C _ε	min. 0.091 in	Minimum width of space required in housing
r _a	max. 0.098 in	Radius of fillet
A negative value for C _a		

Calculation data

Basic dynamic load rating

C

186 591 lbf

Basic static load rating	C_0	238 297 lbf
Fatigue load limit	P_u	22 931 lbf
Reference speed		2 400 r/min
Limiting speed		3 200 r/min
Misalignment factor	k_1	0.109
Internal clearance factor	k_2	0.108

Mass

Mass		30.865 lb
------	--	-----------

Terms and conditions

By accessing and using this website / app owned and published by AB SKF (publ.) (556007-3495 · Gothenburg) ("SKF"), you agree to the following terms and conditions:

Warranty Disclaimer and Limitation of Liability

Although every care has been taken to assure the accuracy of the information on this website / app, SKF provides this information "AS IS" and DISCLAIMS ALL WARRANTIES, EXPRESS OR IMPLIED, INCLUDING, BUT NOT LIMITED TO, IMPLIED WARRANTIES OF MERCHANTABILITY AND FITNESS FOR A PARTICULAR PURPOSE. You acknowledge that your use of this website / app is at your sole risk, that you assume full responsibility for all costs associated with use of this website / app, and that SKF shall not be liable for any direct, incidental, consequential, or indirect damages of any kind arising out of your access to, or use of the information or software made available on this website / app. Any warranties and representations in this website / app for SKF products or services that you purchase or use will be subject to the agreed upon terms and conditions in the contract for such product or service. Further, for non-SKF websites / apps that are referenced in our website / app or where a hyperlink appears, SKF makes no warranties concerning the accuracy or reliability of the information in these websites / apps and assumes no responsibility for material created or published by third parties contained therein. In addition, SKF does not warrant that this website / app or these other linked websites / apps are free from viruses or other harmful elements.

Copyright

Copyright in this website / app copyright of the information and software made available on this website / app rest with SKF or its licensors. All rights are reserved. All licensed material will reference the licensor that has granted SKF the right to use the material. The information and software made available on this website / app may not be reproduced, duplicated, copied, transferred, distributed, stored, modified, downloaded or otherwise exploited for any commercial use without the prior written approval of SKF. However, it may be reproduced, stored and downloaded for use by individuals without prior written approval of SKF. Under no circumstances may this information or software be supplied to third parties.

This website /app includes certain images used under license from Shutterstock, Inc.

Trademarks and Patents

All trademarks, brand names, and corporate logos displayed on the website / app are the property of SKF or its licensors, and may not be used in any way without prior written approval by SKF. All licensed trademarks published on this website / app reference the licensor that has granted SKF the right to use the trademark. Access to this website / app does not grant to the user any license under any patents owned by or licensed to SKF.

Changes

SKF reserves the right to make changes or additions to this website / app at any time.