

BSTS-20X4 ✓ ACTIVE

RAYCHEM | RAYCHEM BSTS

TE Internal #: CB5060-000

Black, 3:1, Single Wall Tubing, Shrinks To .75 in [19.05 mm],
Irradiated Modified Polyolefin, 2 in [50.8 mm] Inner Diameter,
RAYCHEM BSTS

[View on TE.com >](#)



Heat Shrink Tubing > BSTS/BSTS-FR Heat Shrink Tubing



Primary Product Color: **Black**

Wall Type: **Single Wall**

Expanded Inside Diameter (Min): **50.8 mm [2 in]**

Recovered Inside Diameter (Max): **19.05 mm [.75 in]**

Shrink Ratio: **3:1**

[All BSTS/BSTS-FR Heat Shrink Tubing \(80\)](#)

Features

Product Type Features

Wall Type	Single Wall
-----------	-------------

Electrical Characteristics

Operating Voltage (Max)	.6 kV
-------------------------	-------

Body Features

Fluid Type	Water
Primary Product Color	Black
Shrink Ratio	3:1
Primary Product Material	Irradiated Modified Polyolefin
Flexibility	Semi-Rigid

Dimensions

Recovered Wall Thickness (Tolerance)	3.94 mm[.16 in]
	48 in
Expanded Inside Diameter (Min)	50.8 mm[2 in]
Recovered Inside Diameter (Max)	19.05 mm[.75 in]
Tubing Size Range	19.05 – 50.8 mm[.75 – 2 in]

Usage Conditions

--	--



Shrink Temperature (Min)	90 °C
Resistance Properties	Moisture
Tubing Flammability Type	Non-Flame-Retardant
Operating Temperature Range	-55 – 110 °C
Recovery Temperature	121 °C

Operation/Application

Mechanical Resistance	Abrasion, Fluids, Mechanical Damage, Strain Relief
-----------------------	--

Product Availability

Applicable Region	Global
-------------------	--------

Packaging Features

Packaging Method	Box
------------------	-----

Other

Meets Low Outgassing Requirements	No
Product Source	Czech Republic

Product Compliance

[For compliance documentation, visit the product page on TE.com>](#)

EU RoHS Directive 2011/65/EU	Compliant
EU ELV Directive 2000/53/EC	Compliant
China RoHS 2 Directive MIIT Order No 32, 2016	No Restricted Materials Above Threshold
EU REACH Regulation (EC) No. 1907/2006	Current ECHA Candidate List: JUNE 2024 (241) Candidate List Declared Against: JAN 2023 (233) Does not contain REACH SVHC
Halogen Content	Low Halogen - Br, Cl, F, I < 900 ppm per homogenous material. Also BFR/CFR/PVC Free
Solder Process Capability	Not applicable for solder process capability

Product Compliance Disclaimer

This information is provided based on reasonable inquiry of our suppliers and represents our current actual knowledge based on the information they provided. This information is subject to change. The part numbers that TE has identified as EU RoHS compliant have a maximum concentration of 0.1% by weight in homogenous materials for lead, hexavalent chromium, mercury, PBB, PBDE, DBP, BBP, DEHP, DIBP, and 0.01% for cadmium, or qualify for an exemption to these limits as defined in the Annexes of Directive 2011/65/EU (RoHS2). Finished electrical and electronic equipment products will be CE marked as required by Directive 2011/65/EU. Components may not be CE marked. Additionally, the part numbers that TE has identified as EU ELV compliant have a maximum concentration of 0.1% by weight in homogenous



materials for lead, hexavalent chromium, and mercury, and 0.01% for cadmium, or qualify for an exemption to these limits as defined in the Annexes of Directive 2000/53/EC (ELV). Regarding the REACH Regulation, the information TE provides on SVHC in articles for this part number is based on the latest European Chemicals Agency (ECHA) 'Guidance on requirements for substances in articles' posted at this URL: <https://echa.europa.eu/guidance-documents/guidance-on-reach>

Compatible Parts



TE Part # 2326489-1
MODEL 105 TUNNEL OVEN, 36" ENTRY, STAND




TE Part # 2394980-1
MOD 105 TUN OVEN, 69" ENTRY, STANDARD



TE Part # 955018-000
CLTEQ-M105-TUNNEL-OVEN

Also in the Series | RAYCHEM BSTS



Heat Shrink Tubing(45)


Customers Also Bought



TE Part #5749699-7
68 50SR CABLE RCPT KIT



TE Part #749877-7
68 50SR PANEL MOUNT RCPT



TE Part #2-1617754-1
FCA-410-1622M=M83536/16-022M



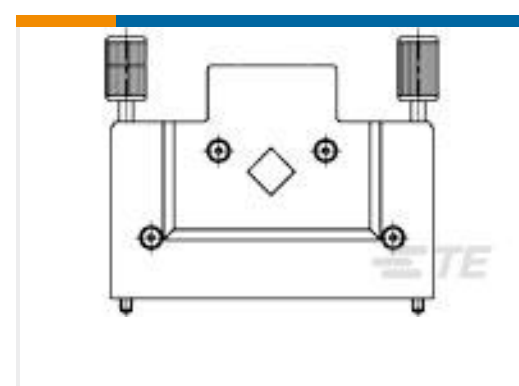
TE Part #9-2176400-7
3540 10K 1%



TE Part #YDTS26W17-26PNV001
PLUG ASSY



TE Part #NB17452001
RP-4800-NO.6-0-STK



TE Part #5786152-3
68 50SR BKSHL KIT W/JS, UNPNTD,



TE Part #CSH-SGFB-200-UFFR
SMA to U.FL/MHF1 200mm 1.32 OD



Documents

Product Drawings

[BSTS-20X4](#)

English

Datasheets & Catalog Pages

[Measuring_Single_Wall_Tubing](#)

English

[BSTS_BSTS-FR Pages from 9-1773447-9](#)

English

[Selecting_Correct_Tubing_1216](#)

English

Product Specifications

[Application Specification](#)

English