

CL9351-000 ✓ ACTIVE

RAYCHEM | RAYCHEM BSTS-FR

TE Internal #: CL9351-000

Red, 3:1, Single Wall Tubing, Shrinks To .5 in [12.7 mm], Irradiated Modified Polyolefin, 1.7 in [43.18 mm] Inner Diameter, RAYCHEM BSTS-FR

[View on TE.com >](#)



Heat Shrink Tubing > BSTS/BSTS-FR Heat Shrink Tubing



Primary Product Color: **Red**

Wall Type: **Single Wall**

Expanded Inside Diameter (Min): **43.18 mm [1.7 in]**

Recovered Inside Diameter (Max): **12.7 mm [.5 in]**

Shrink Ratio: **3:1**

[All BSTS/BSTS-FR Heat Shrink Tubing \(80\)](#)

Features

Product Type Features

Wall Type	Single Wall
-----------	-------------

Electrical Characteristics

Operating Voltage (Max)	.6 kV
-------------------------	-------

Body Features

Fluid Type	Water
Primary Product Color	Red
Shrink Ratio	3:1
Primary Product Material	Irradiated Modified Polyolefin
Flexibility	Semi-Rigid

Dimensions

Recovered Wall Thickness (Tolerance)	3.56 mm[.14 in]
	300 in
Expanded Inside Diameter (Min)	43.18 mm[1.7 in]
Recovered Inside Diameter (Max)	12.7 mm[.5 in]

Usage Conditions

Shrink Temperature (Min)	90 °C
--------------------------	-------

Resistance Properties	Moisture
Tubing Flammability Type	Flame-Retardant
Operating Temperature Range	-55 – 110 °C
Recovery Temperature	121 °C

Operation/Application

Mechanical Resistance	Abrasion, Fluids, Mechanical Damage, Strain Relief
-----------------------	--

Product Availability

Applicable Region	Global
-------------------	--------

Packaging Features

Packaging Method	Piece
------------------	-------

Other

Meets Low Outgassing Requirements	No
Product Source	Czech Republic

Product Compliance

[For compliance documentation, visit the product page on TE.com>](#)

EU RoHS Directive 2011/65/EU	Compliant
EU ELV Directive 2000/53/EC	Compliant
China RoHS 2 Directive MIIT Order No 32, 2016	No Restricted Materials Above Threshold
EU REACH Regulation (EC) No. 1907/2006	Current ECHA Candidate List: JUNE 2024 (241) Candidate List Declared Against: JAN 2024 (240) Does not contain REACH SVHC
Halogen Content	Not Yet Reviewed for halogen content
Solder Process Capability	Not applicable for solder process capability

Product Compliance Disclaimer

This information is provided based on reasonable inquiry of our suppliers and represents our current actual knowledge based on the information they provided. This information is subject to change. The part numbers that TE has identified as EU RoHS compliant have a maximum concentration of 0.1% by weight in homogenous materials for lead, hexavalent chromium, mercury, PBB, PBDE, DBP, BBP, DEHP, DIBP, and 0.01% for cadmium, or qualify for an exemption to these limits as defined in the Annexes of Directive 2011/65/EU (RoHS2). Finished electrical and electronic equipment products will be CE marked as required by Directive 2011/65/EU. Components may not be CE marked. Additionally, the part numbers that TE has identified as EU ELV compliant have a maximum concentration of 0.1% by weight in homogenous materials for lead, hexavalent chromium, and mercury, and 0.01% for cadmium, or qualify for an exemption to these limits as defined in the Annexes of Directive 2000/53/EC (ELV). Regarding the REACH Regulation, the information TE provides

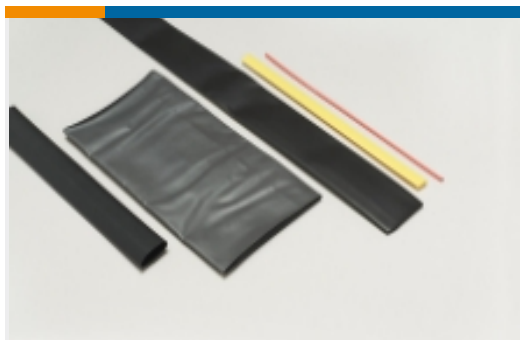
on SVHC in articles for this part number is based on the latest European Chemicals Agency (ECHA) 'Guidance on requirements for substances in articles' posted at this URL: <https://echa.europa.eu/guidance-documents/guidance-on-reach>

Compatible Parts



TE Part # EG1114-000
CV1981-ST-230V1600W-EU

Also in the Series | RAYCHEM BSTS-FR



Heat Shrink Tubing(35)

Customers Also Bought



TE Part #813434-000
222A152-3-0



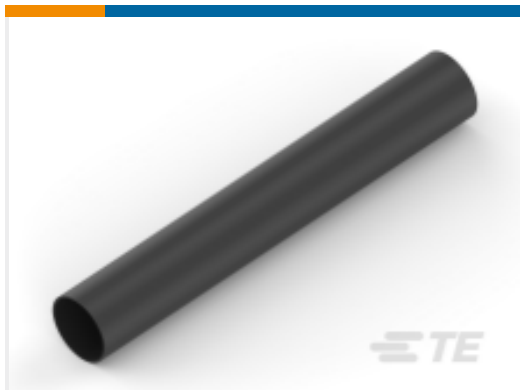
TE Part #727844-000
D-150-0175



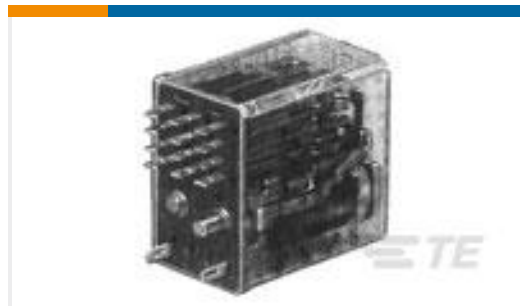
TE Part #1367147-3
SFP COVER, UNPL, NO LOGO



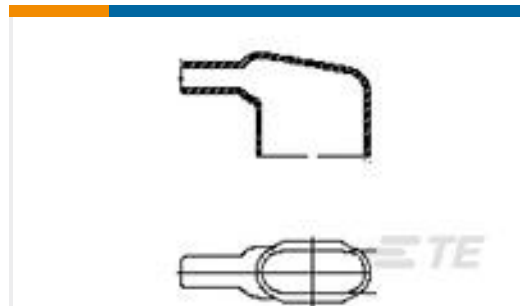
TE Part #535295-000
TXR30AB00-1010AI2



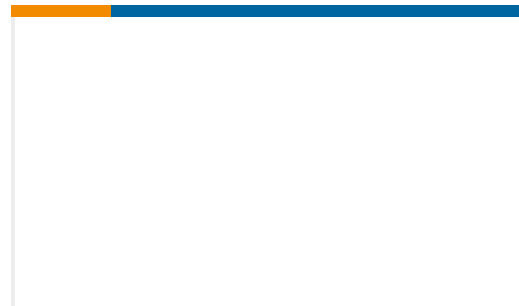
TE Part #NB09952001
ATUM-19/6-0-STK



TE Part #2-1393766-3
R10-E1X6-V9.0K=R10



TE Part #457931-000
234A932-3-04/42-0



TE Part #6501550002
D-436-0127CS391

Documents

Product Drawings



BSTS-17X25FR/RED/NM

English

Datasheets & Catalog Pages

[Measuring_Single_Wall_Tubing](#)

English

[BSTS_BSTS-FR Pages from 9-1773447-9](#)

English

[Selecting_Correct_Tubing_1216](#)

English

Product Specifications

[Application Specification](#)

English