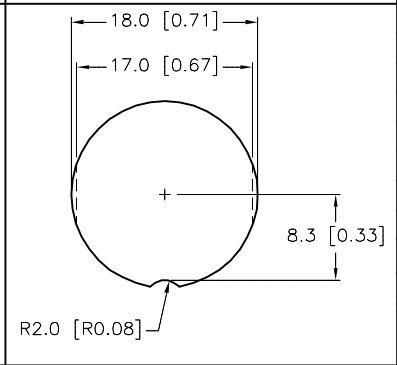
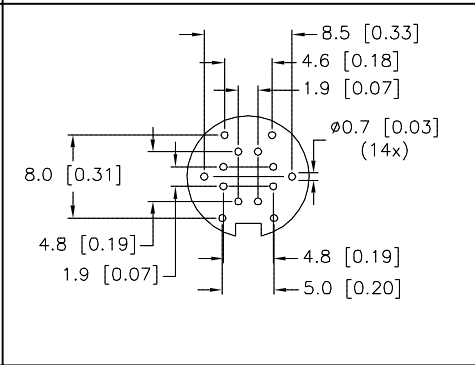
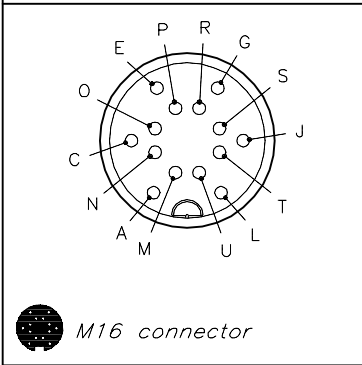


MALE END VIEW


PCB BOARD LAYOUT

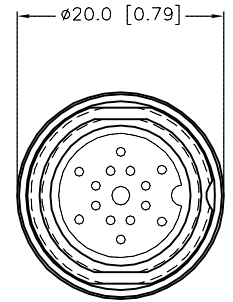
PANEL CUTOUT

SPECIFICATIONS

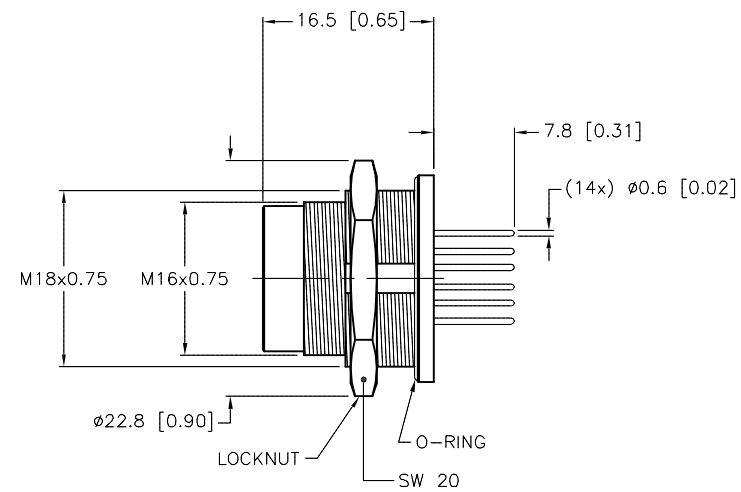


CONTACT CARRIER MATERIAL	TPU
CONTACT MATERIAL/PLATING	BRASS/GOLD
HOUSING. LOCKNUT MATERIAL/PLATING	BRASS/NICKEL
O-RING MATERIAL	NBR 70
RATED CURRENT [A]	3.0 A
RATED VOLTAGE [V]	60 V AC/DC
NUMBER OF CONDUCTORS [AWG]	PCB PINS
TEMPERATURE RANGE	-30°C to +80°C (-22°F to +176°F)
PROTECTION CLASS	MEETS IEC IP67
MAXIMUM PANEL THICKNESS	4.0 [0.16]

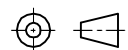
 M16 connector



END VIEW  
LOCKNUT NOT SHOWN



SOURCE DRAWING - FOR REFERENCE ONLY

RELATED DOCUMENTS 1. 2. 3. 4.	3RD ANGLE PROJECTION 	THIS DRAWING IS CONFIDENTIAL AND THE PROPERTY OF TURCK INC. USE OF THIS DOCUMENT WITHOUT WRITTEN PERMISSION IS PROHIBITED.	3000 CAMPUS DRIVE MINNEAPOLIS, MN 55441 1-800-544-7769 (763) 553-7300 (763) 553-0708 fax turck.com		
	MATERIAL  SEE SPECIFICATIONS	ALL DIMENSIONS DISPLAYED ON THIS DRAWING ARE FOR REFERENCE ONLY	DRFT JBJ DATE 01/21/04	DESCRIPTION  BSFD 14-PCB	
	FINISH  SEE SPECIFICATIONS		APVD SCALE 1=.7		
	CONTACT TURCK FOR MORE INFORMATION		UNIT OF MEASUREMENT <b>MILLIMETER [ INCH ]</b>		IDENTIFICATION NO. U0930-07

B	UPDATE CONTACT CARRIER MATERIAL	KMY	02/19/13	41344
REV	DESCRIPTION	BY	DATE	ECO NO.